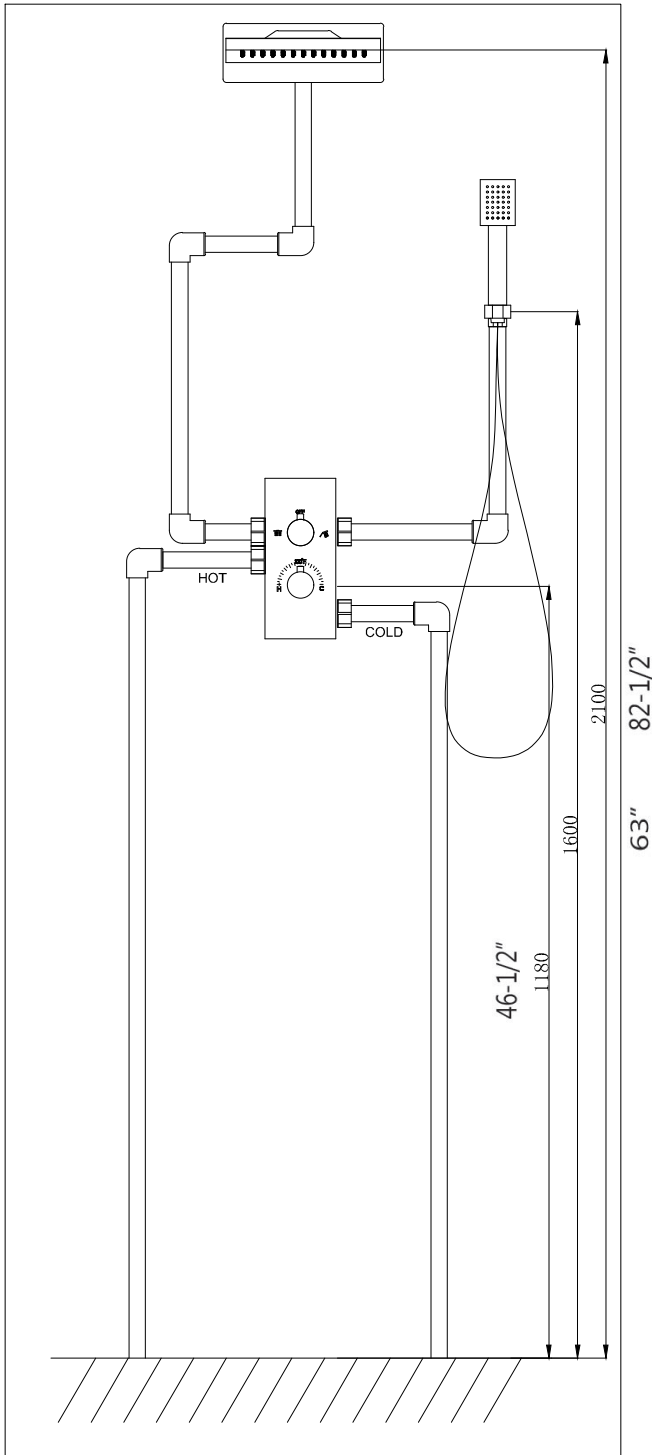


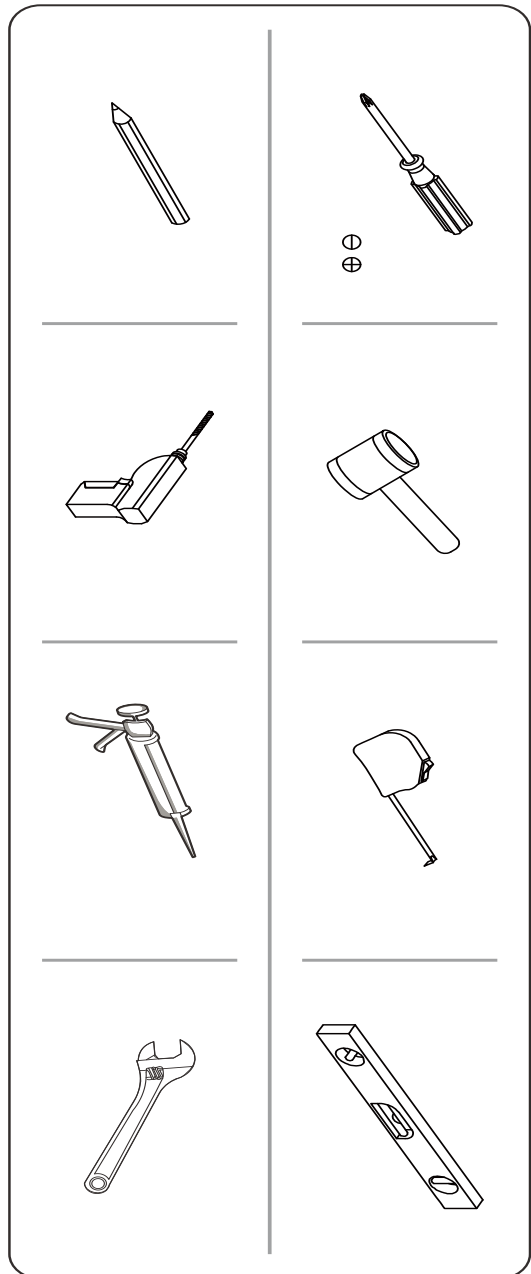
INSTALLATION INSTRUCTIONS

Dual-function Concealed Thermostatic Mixer Valve

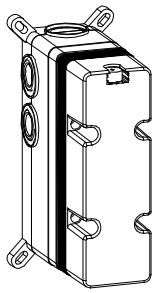
PLUMBING SCHEMATIC:



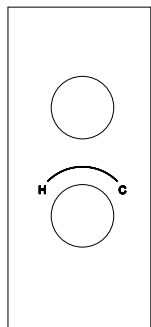
TOOLS FOR INSTALLATION:



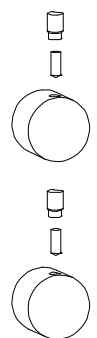
A




B



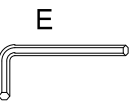
C



D

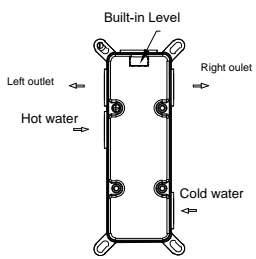


E

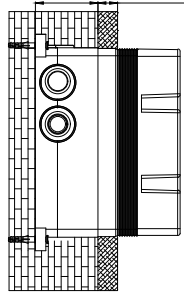


Parts List:

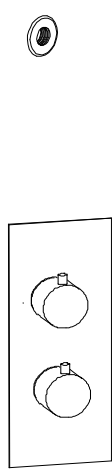
- Mixer Valve body
- Panel
- Spare parts package



Wall Depth: 2-1/2" (63MM) Tile thickness range: 3/4"-1-3/8" (20-35mm)



Hidden joints for the upper and lower water outlets must line up with the installed plumbing.

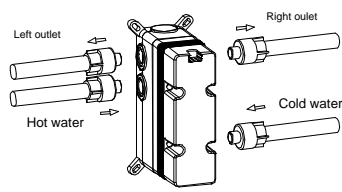


1



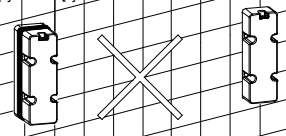
1. The wall opening must be square and the edges must be smooth.

2

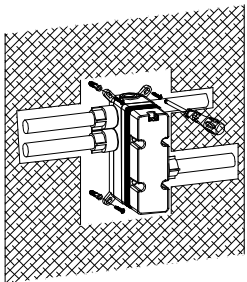


Correctly connect all hot and cold water pipes.

3 Pay attention to the dimensions provided above. The recessed part of the decorative surface should not exceed the adjustable size line. The thickness of the decorative surface should not exceed 1/4" (6mm).

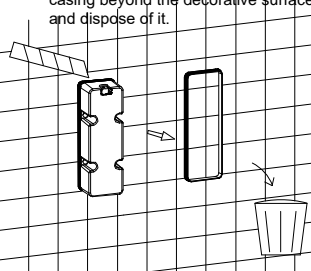


4 Turn the installation box cover and carefully remove the cover.

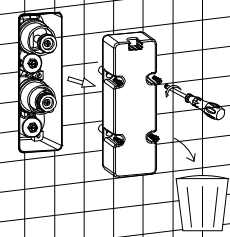


Turn the installation box cover and carefully remove the cover.

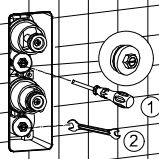
5 Cut off any excess protective plastic casing beyond the decorative surface and dispose of it.



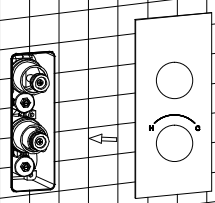
6 Remove the installation box cover and dispose of it.



7 For future maintenance purposes, shutoff valves are provided on the mixer valve.

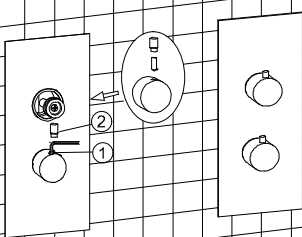


8 Install the decorative plate.

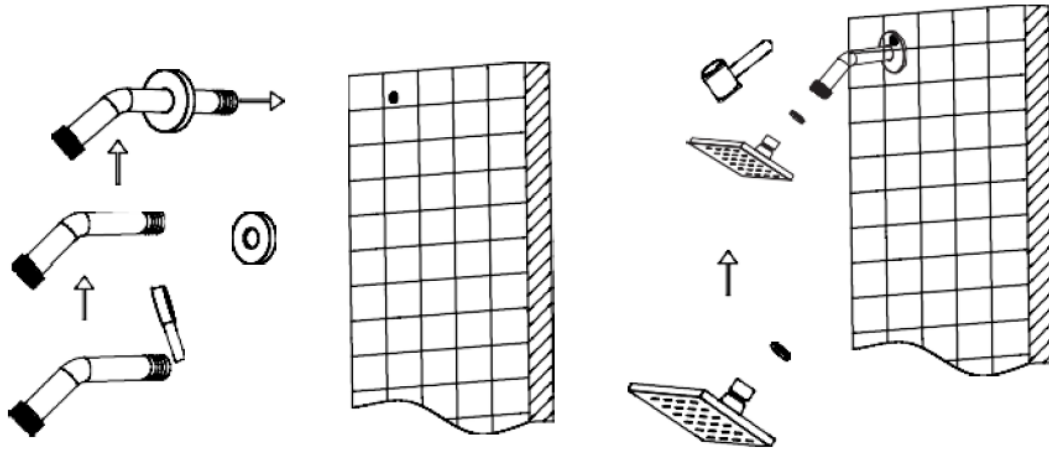


9

- Install and tighten the handle.
- Screw the rod into the handle.



Shower Arm and Shower Head:



1. Apply teflon tape or thread sealant to the threads on the shower arm, then thread it into the prepared fitting in the wall. Protect the finish on the arm with a cloth while tightening with a wrench.

INSTALLATION TOOLS YOU MAY NEED



Teflon Tape



Thread Sealant



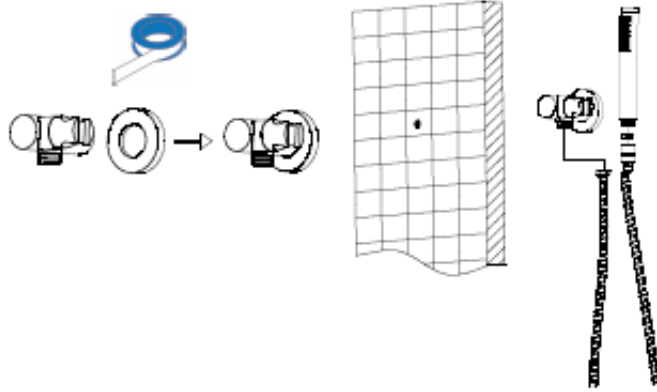
Adjustable
Wrench



Strap Wrench

INSTALLATION INSTRUCTIONS

Elbow and Hand Showers



1. Apply teflon tape or thread sealant to the hand shower's water supply elbow, thread it into the female fitting. Tighten using a wrench or strap wrench.
2. Connect the elbow and hand shower to the shower hose.

Note: Turn the main water supply on and test the completed shower system. Make sure there are no leaks and that all functions are working properly.

INSTALLATION TOOLS YOU MAY NEED



Teflon Tape



Thread Sealant



Adjustable
Wrench



Strap Wrench