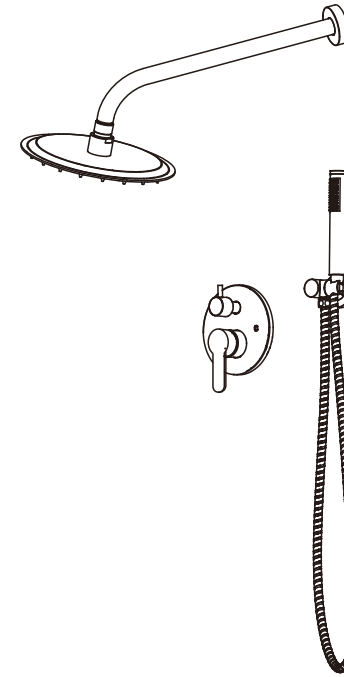
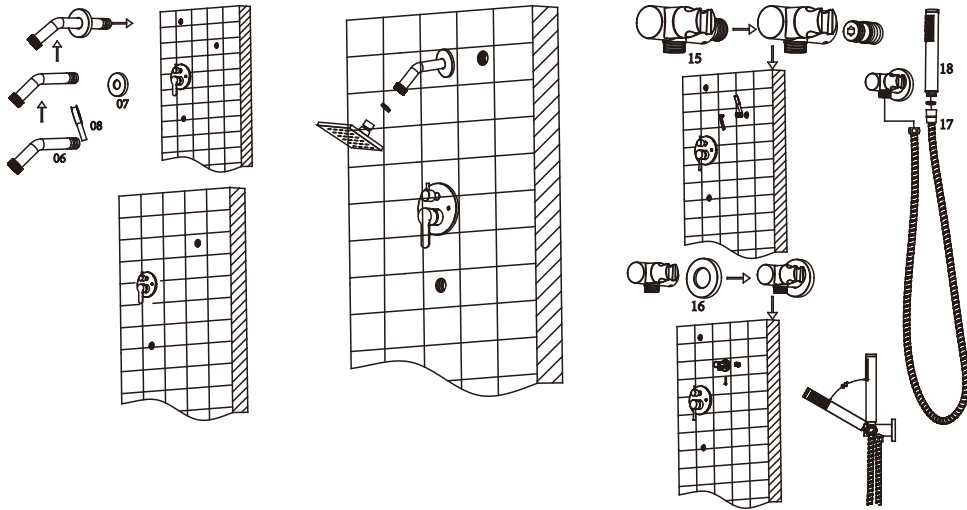


# INSTALLATION STEPS

Step 5. Install Shower bracket (If included)  
Install hand-held shower and hose (if included)



Applicable for one, two and three-function shower faucet  
(Shown Above)

# CARE AND MAINTENANCE

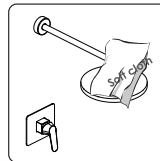
In order to keep the mixer surface looking new, wipe it regularly with a soft, damp cloth.

- Wash hardware with clean water, and wipe with a soft cotton cloth.
- Avoid using cleaning powders, stiff brushes or abrasive sponges which can scratch hardware and lead to corrosion.
- Do not use acidic cleaning agents or cleaners containing ammonia as they may damage hardware finishes. Rinse hardware immediately if harmful cleaners are used.

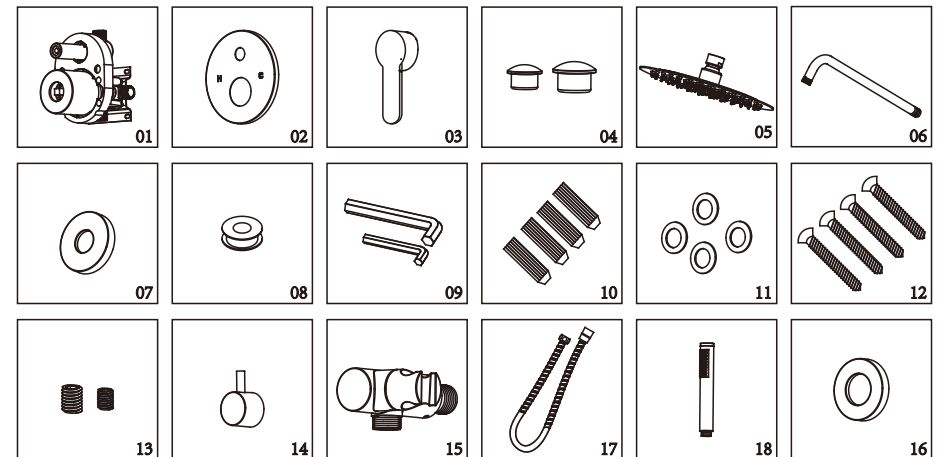
If doing extensive cleaning, follow these procedures.

1. Using clean water and a soft cloth, wipe away as much film and soap scum as possible.

2. Only use non-acidic cleaners without ammonia to clean more stubborn areas. Do not use scrubbing powders or cleansers.

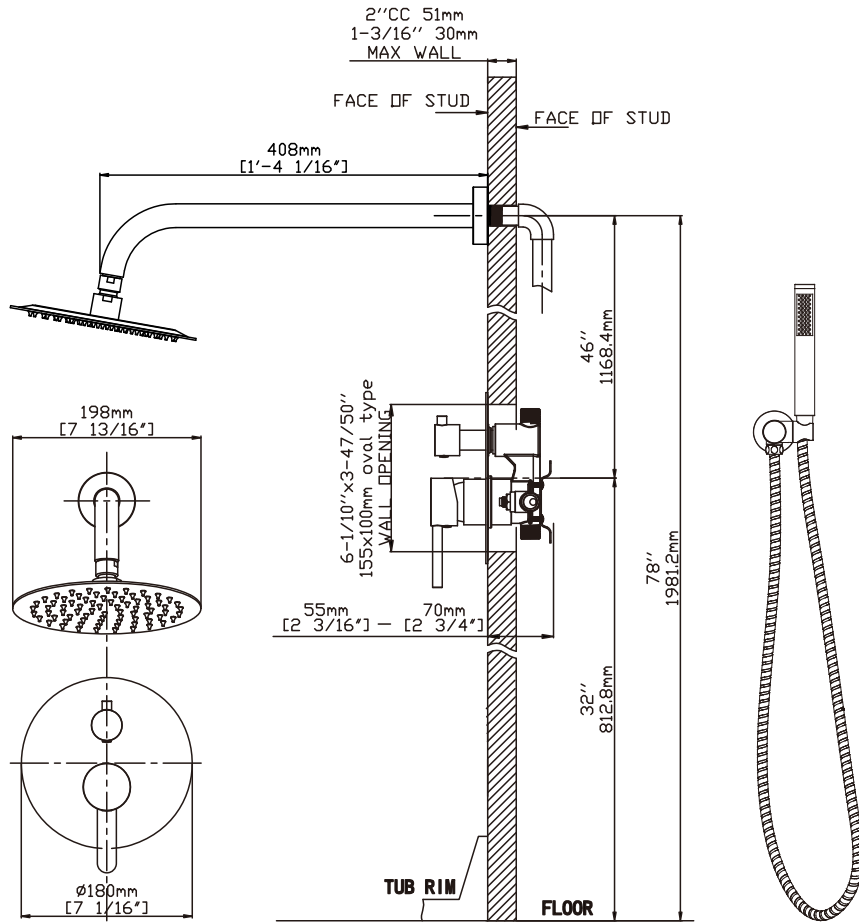


# PRODUCTLIST Packing List for 2-function Shower

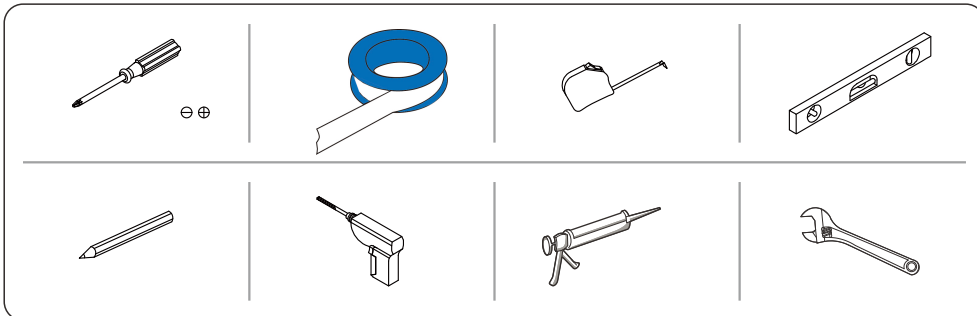


WARNING: Choking hazard. Please keep all small parts and plastic bags out of the reach of children.  
Using a licensed plumber is recommended for this installation.

## PRODUCT SIZE

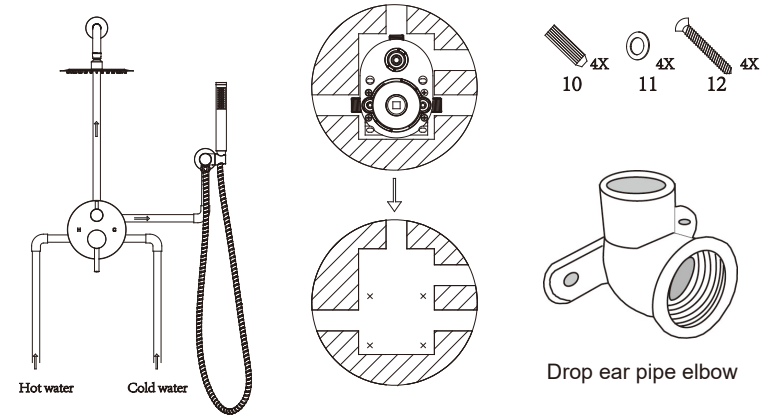


## PRE-INSTALLATION PREPARATION



## INSTALLATION STEPS

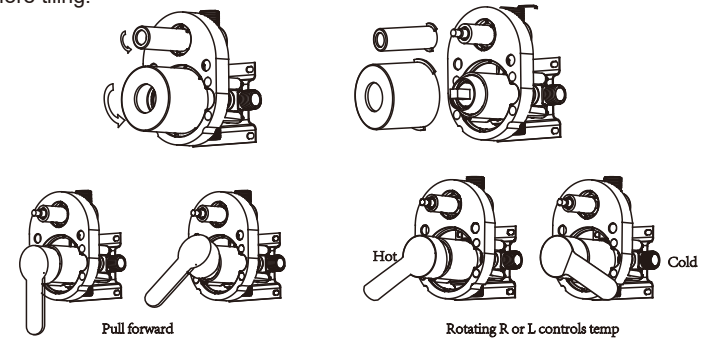
Step 1: The depth is for reference only. Using a copper drop ear pipe elbow (1/2" -14NPT) is recommended.



Step 2. Clean the inside of all pipes and fittings.

Pex, Copper and PVC pipe are all suitable for installation. Check for leakage and/or blockage on both hot and cold water supplies. Both hot and cold water supply lines must be connected to the Shower Valve prior to testing.

Step 3. Tile thickness will affect installation. Check tile thickness to be sure plate and handle can be installed before tiling.



Step 4. Install plate and handle(s)

