

INSTALLATION INSTRUCTIONS

SSB2, SSL2,
SSR2 SEATS

IMPORTANT: PROPER BACKING MATERIAL AND MOUNTING HARDWARE MUST BE USED TO MOUNT THIS SHOWER SEAT FOR SAFE USE AND AS REQUIRED BY A.D.A. GUIDELINES.

This seat should be installed as an assembled unit.

PLEASE READ THESE INSTALLATION INSTRUCTIONS THOROUGHLY PRIOR TO INSTALLING THIS SHOWER SEAT

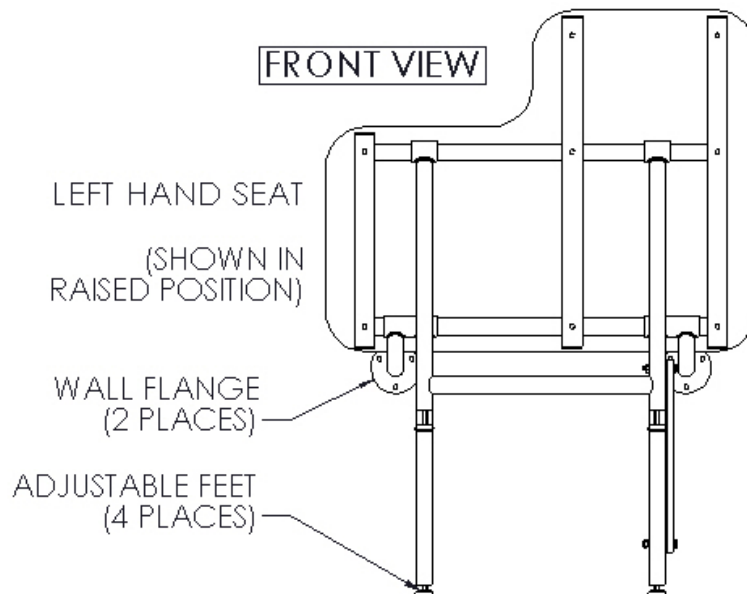
IMPORTANT: THIS PRODUCT SHOULD ONLY BE INSTALLED BY QUALIFIED AND TRAINED PERSONNEL

FAILURE TO FOLLOW THESE INSTRUCTIONS COULD LEAD TO IMPROPER INSTALLATION OF THE SHOWER SEAT, STRUCTURAL AND/OR WATER DAMAGE TO THE WALL AND IN-WALL SUPPORT STRUCTURES, AND/OR SERIOUS BODILY INJURY IN USE. IN ADDITION, ALL WARRANTIES, EXPRESS OR IMPLIED, WILL BE NULL & VOID DUE TO IMPROPER INSTALLATION OF THIS PRODUCT. THE MANUFACTURER DOES NOT ASSUME ANY LIABILITY FOR DAMAGE RESULTING FROM SERVICES PERFORMED BY OTHERS, OR FAULTY INSTALLATION, MISUSE OR MISAPPLICATION OF GOODS.

THIS PRODUCT IS DESIGNED TO MEET OR EXCEED ALL LOAD REQUIREMENTS ESTABLISHED IN THE FEDERAL SPECIFICATION #WW-P-541/8b AT 250 POUNDS OF FORCE. THE PERFORMANCE OF THIS PRODUCT IS SIGNIFICANTLY IMPACTED BY THE STRENGTH OF THE WALL TO WHICH IT IS ATTACHED.

TO ASSURE PROPER AND SAFE INSTALLATION, THIS SHOWER SEAT MUST BE INSTALLED INTO A MINIMUM 2" THICK, SOLID WOOD, IN-WALL BACKING MATERIAL. MAKE CERTAIN IN-WALL BACKING COMPLIES WITH ALL LOCAL BUILDING CODE REQUIREMENTS.

1. Determine desired shower seat location.

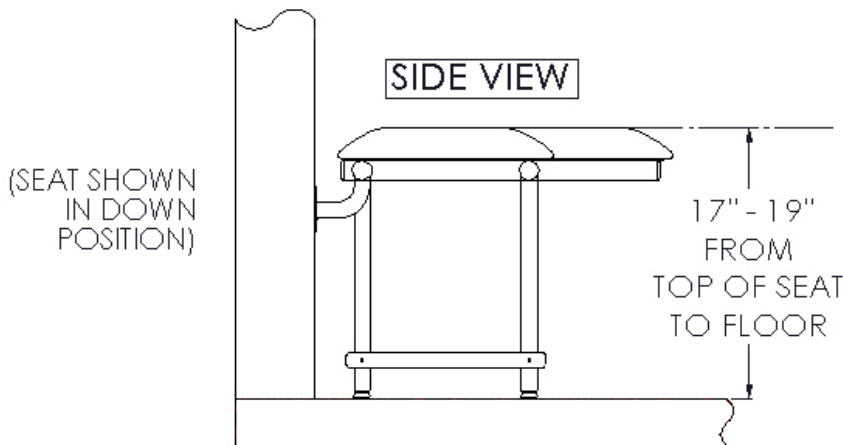


Remove shower seat from the shipping carton.

Place the seat in raised (upright) position with the mounting flanges placed firmly against the shower wall.

2. Determine seat height from the floor and location relative to the inside back wall.

ADA regulations specify a finished seat height of 17" to 19" above the finished floor and 1½" of clearance between the seat edge and the side wall.



With the seat in the down position, level the seat by changing the adjustable rubber feet to the desired mounting height (17"-19"). Tighten the lock nuts.

With the mounting flanges placed flush against the wall, mark the position of the three holes in each flange. Using a 1/8" Carbide tip drill bit (not provided), create three mounting holes each for the right and left mounting flanges.

Use clear silicone sealer at each hole location to prevent water damage to existing structures as desired.

3. Mounting the seat to the wall.

Holding the seat assembly in the down position, make any necessary final adjustments to the adjustable rubber feet. With the feet resting firmly on the floor, tightly secure the two mounting flanges to the wall **AND INTO 2" THICK, SOLID WOOD IN-WALL BACKING MATERIAL**, using six (6) #12 x 2½" stainless steel screws (supplied by manufacturer). *Tighten screws completely **AFTER** all screws are in place.*

4. Check Seat for:

- 1) Proper up and down operation.
- 2) Correct finished height.
- 3) Correct distance from wall.
- 4) Weight bearing.

THIS COMPLETES THE INSTALLATION OF THE SSB2, SSL2 or SSR2 SHOWER SEAT.

Hardware provided:

(6) #12 X 2-1/2" Phillips Pan Head sheet metal screws

Tools required:

Tape measure, masking tape, power drill, 1/8" Carbide tip drill bit, marking pen/pencil, level, #3 phillips driver.