

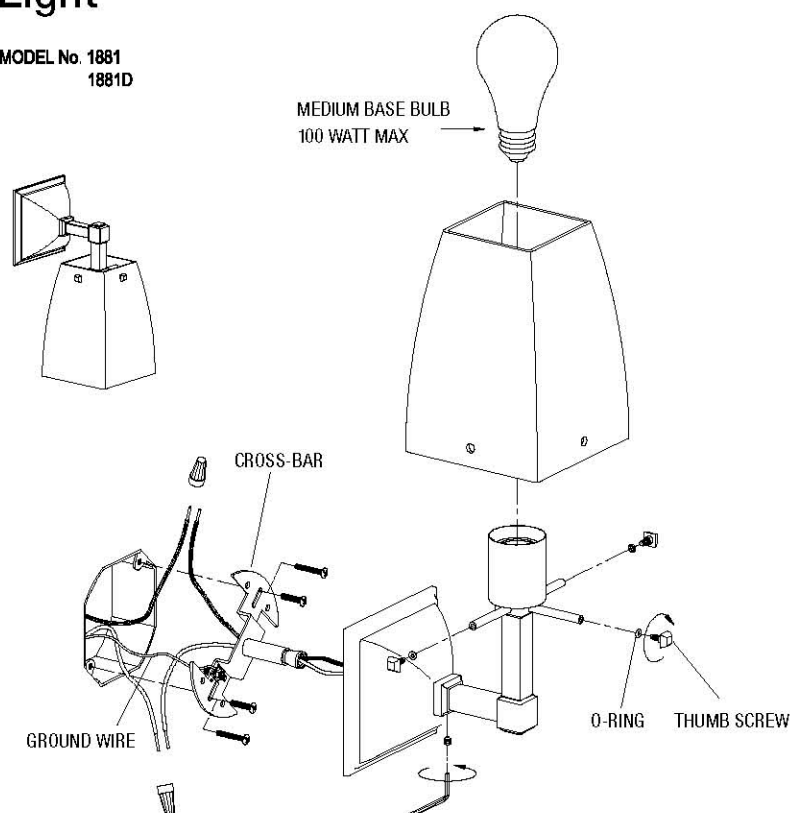
QUATTRO™

SINGLE LIGHT INSTALLATION INSTRUCTIONS

Complement your purchase with other fine accessories also from motiv®.

Quattro Single Light

MODEL No. 1881
1881D



INSTALLATION:

1. PROVIDE THE REQUIRED WIRING TO THE WALL ELECTRICAL BOX.
2. MOUNT CROSS-BAR TO THE ELECTRICAL BOX. THE CROSS-BAR SHOULD BE FLAT AGAINST THE WALL WITH THE SPINDLE FACING AWAY FROM THE WALL.
3. CONNECT HOUSE GROUND WIRE TO THE CROSSBAR WITH ATTACHED GROUND SCREW.
4. FEED THE FIXTURE WIRES THROUGH THE CENTER HOLE OF CROSS-BAR.
5. CONNECT THE WHITE WIRES OF THE FIXTURE TO THE HOUSE NEUTRAL WIRE WITH A WIRENUT.
6. CONNECT THE BLACK WIRE OF THE FIXTURE TO THE HOUSE HOT WIRE WITH A WIRENUT.
7. SLIDE THE FIXTURE OVER THE SPINDLE OF THE CROSS-BAR UNTIL IT IS FLUSH AGAINST THE WALL. TAKE CARE WIRES ARE NOT PINCHED DURING THIS PROCESS. SECURE THE FIXTURE BY TIGHTENING THE SET SCREW ON THE BOTTOM SIDE OF POST WITH PROVIDED WRENCH.
8. POSITION GLASS SHADE OVER SPOKES ON FIXTURE.
9. PLACE O-RING ONTO THUMBSCREWS AND TIGHTEN INTO THREADED HOLES IN SPOK. DO NOT OVER TIGHTEN.
10. INSTALL BULB.

INSTALLATION INSTRUCTIONS:

THESE LIGHTS SHOULD BE INSTALLED BY A LICENSED CONTRACTOR
POWER REQUIREMENTS: 120 VOLTS, 60 CYCLES

SAFETY: TO PREVENT ELECTRICAL SHOCK, BE SURE THAT THE POWER IS OFF BEFORE STARTING INSTALLATION.

motiv®

2001 CARNEGIE AVE
SANTA ANA CA
T. 949-417-5207
www.motiv.us