

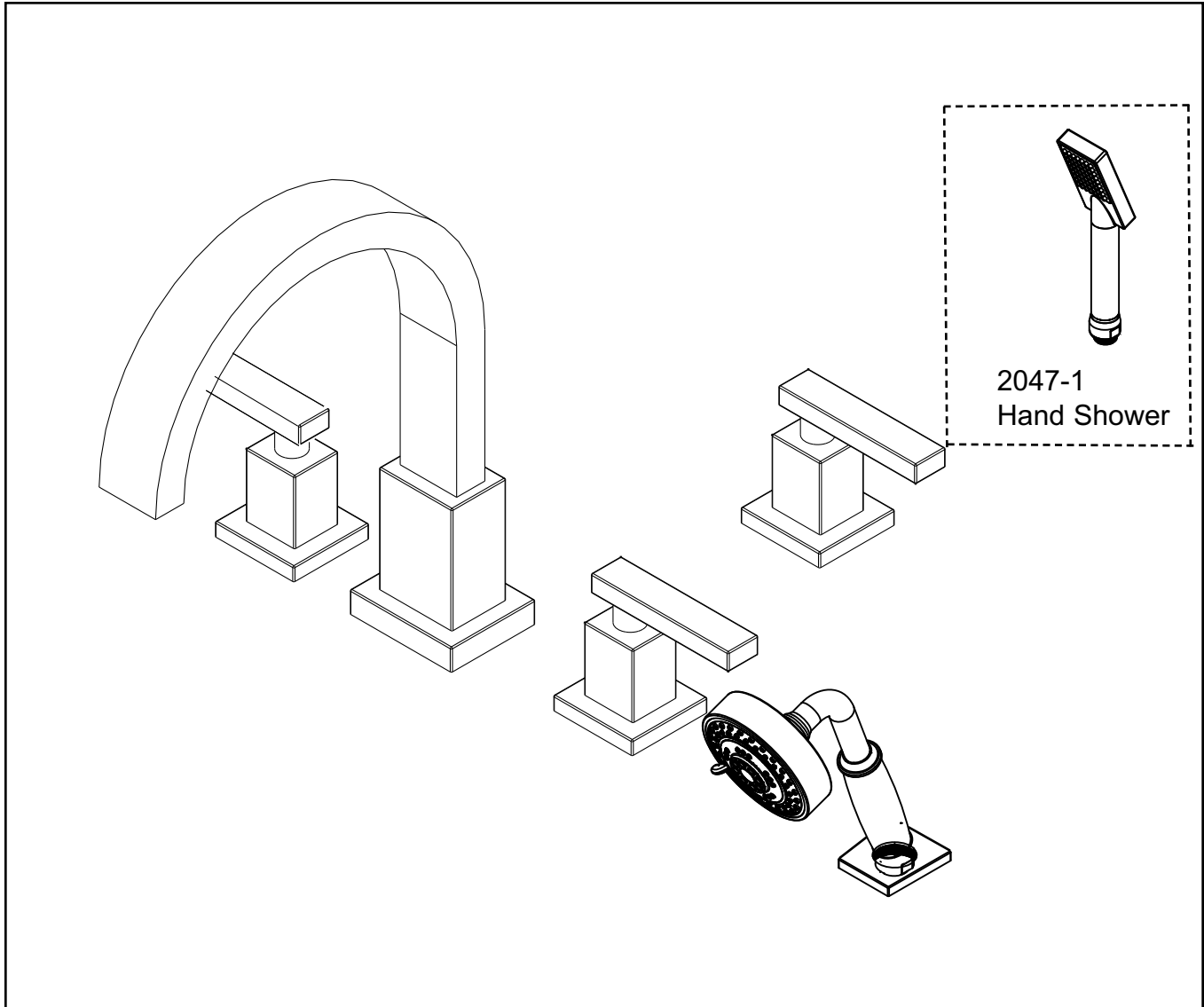
INSTALLATION INSTRUCTIONS ROMAN TUB 3 VALVE AND TRIM

NEWPORT BRASS.

Flawless Beauty. From Faucet to Finish.™

Valve Body No. 1-666

Trim Kit for Model No's: 2047, 2047-1



**Congratulations on the purchase
of this Newport Brass product,
an excellent choice, that will give you
years of quality service and enhance
the look and style of your home.**

Rough in valve Installation

Recommended Installation by a Professional Plumbing Contractor

Note: Use plumbers tape or equivalent to seal all threaded joints. Plumb with 3/4" copper pipe is recommended.

Warning: To prevent severe damage to valve body, any solder/braze process must be performed a min. of 4" from ports.

1. Install the Spout quick connect Deck Flange through spacer and appropriate hole of mounting surface. Secure with washer nut. See Figure 1. Note: Spout Nipple is installed in the Deck Flange for safe keeping until the trim is to be installed.
2. Place lower washer nut on valve body. Insert body through hole from underside of deck.
3. To ensure adequate stem height, install flange nut by threading onto valve body until it bottoms out.
4. Apply thread sealant (e.g. plumbers tape) to hand shower adapter's male threads and tighten onto diverter valve body.
5. Remove upper flange nut and install diverter body from underside of deck. Reattach upper flange nut onto diverter valve. Note: place flange nut on finished deck surface, see Figure 1a.
6. Secure diverter valve body to deck by tightening lower flange nut.
7. Cut diverter stem to height shown in Figure 1. Cut all thread 1/2" shorter than stem
8. Install hand shower deck flange housing through hole on finished deck surface, install rubber and steel washer and secure with flange nut.
9. Place plastic hose guide onto lower portion of housing threads.
10. Feed braided hand shower hose through deck flange and attach one end of hose into the hand shower outlet of diverter valve. See Figure 2.
11. Attach hot/cold supply lines to appropriate valve body. See Figure 2.
12. The outlet from each valve body must be joined (ie. mixed) then attached to inlet at bottom of diverter valve.
13. Connect 3/4" side outlet of diverter valve to tub spout fitting as shown in Figure 2.

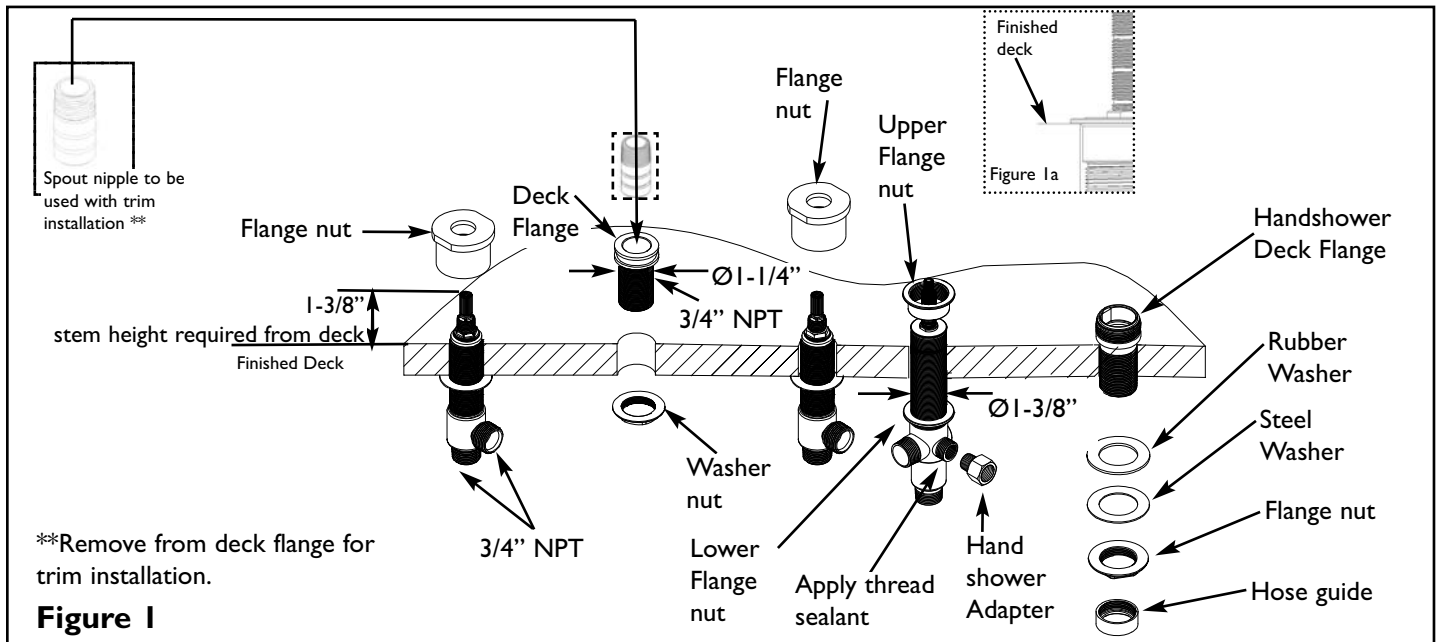


Figure 1

***** Note: Some states require a ASSE 1016 approved Tempering Valve installation with this product. See disclaimer (page 4) for proper installation

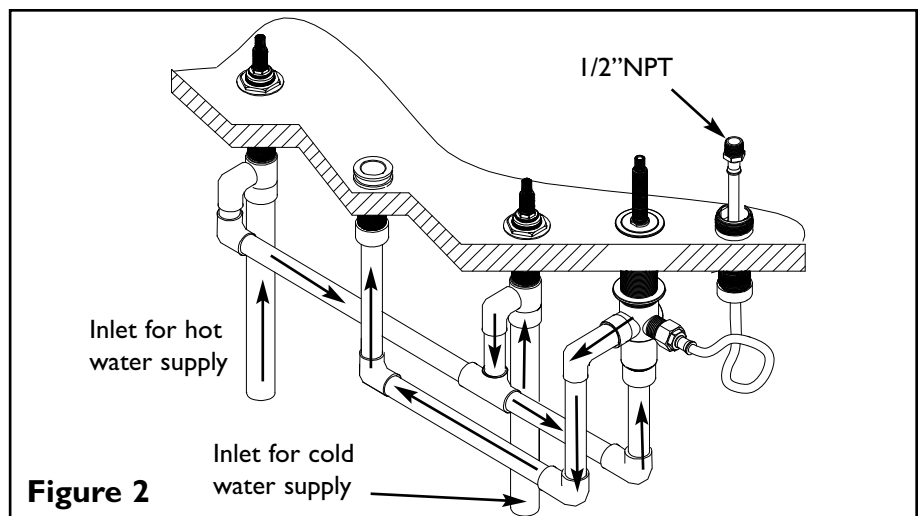


Figure 2

Trim Installation

Note:

To achieve desired handle rotational alignment, the cartridge MUST be tightened in a clockwise rotation only. (Cartridge Bonnet factory torque is 14-16 ft-lbs.)

1. Thread Spout Nipple into base of spout. Attach spout base with mounting screws. Place o-ring on deck, around deck flange. Insert spout nipple into deck flange & secure into place with set screw.
2. Place o-ring and escutcheon over valve stem. Secure handles into place by first engaging the valve stem, then position and hold the handle lever while rotating the bonnet and escutcheon.
3. Place o-ring onto deck, thread hand shower escutcheon onto deck flange. Attach braided hose, from diverter, to the hand shower decorative hose and attach hand shower. (For 2047-1 handshower, attach adapter to base of handle before connecting to decorative hose.)
4. Turn on water supply, check for leaks and make any final adjustments required.

**** TO CLEAR THE DIVERTER FLANGE NUT AND ACHIEVE A FLUSH MOUNT TO DECK SURFACE, YOU MUST SWAP OUT THE DIVERTER HANDLE O-RING UNDER ESCUTCHEON WITH THE SMALLER DIAMETER O-RING PROVIDED.**

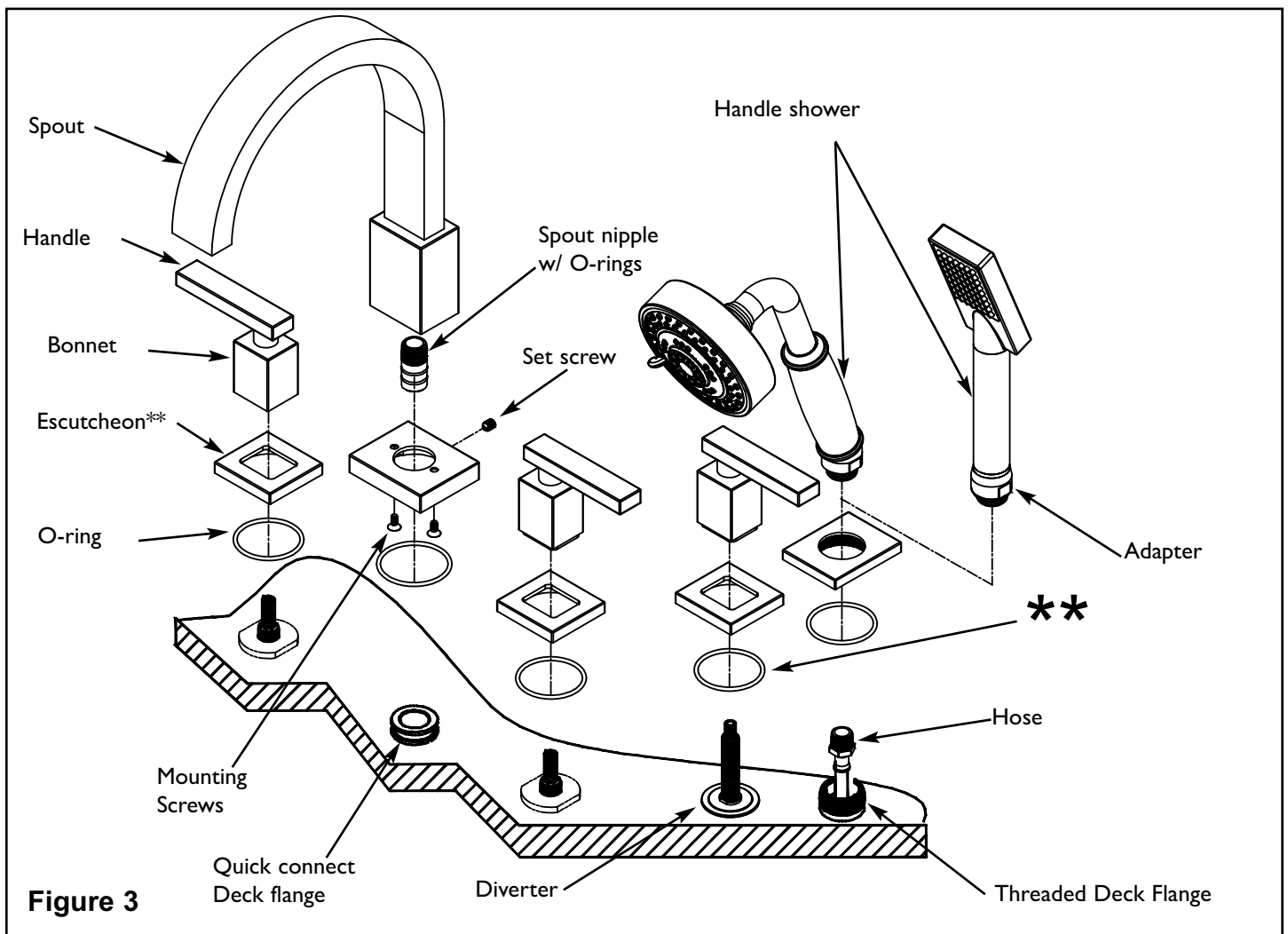


Figure 3

Disclaimer Regarding Brasstech Roman Tub with Hand Spray

To conform to local codes and ordinances, all Brasstech Roman tub with hand spray products should be used in concert with an ASSE 1016 approved tempering valve to reduce the hot water supply to a safe temperature not exceeding 110°F (43°C).

Important: Water temperatures in excess 110°F (43°C) are dangerous and may cause scalding, severe injury or death!

Tempering valve should be installed and adjusted by a licensed contractor per the valve manufacturer installation instruction, and in accordance with local codes and ordinances. In general, key characteristics to ensure a tempering valve to work best with Brasstech Roman tub with hand spray products shall be as follows:

- Tempering valve should be used prior to the Roman tub product to reduce the hot water supply to a safe temperature.
- To ensure sufficient water flow through the tub spout, tempering valve should be capable to handle a flow rate of 10 gpm or more.
- Tempering valve should include inlet filter washer and check valves in both the hot and cold water inlets to protect against cross flow.

Pressure - Temperature - Flow Rate

Minimum supply pressure static: 30psi (207 kPa)

Inlet temperature: hot inlet, 120°F – 180°F (49°C – 82°C)

cold inlet, 39°F – 85°F (4°C – 29°C)

Temperature out: Field range: 80°F -120°F (27°C – 49°C), adjustable. Accurate within +/-3°F (1.7°C)

Maximum temperature: 200°F (93°C)

Maximum pressure: 150psi (10.3 bar)

Minimum flow: 0.5 gpm (1.9 lpm) @ 0.8psi (0.55 kPa)

Maximum flow: 20 gpm (76 lpm) @ 125psi (862 kPa)

***Note:** Valve should be installed in a location where it is accessible for cleaning or service. Due to the effects of various water conditions, periodic verification of outlet water temperature is required.

