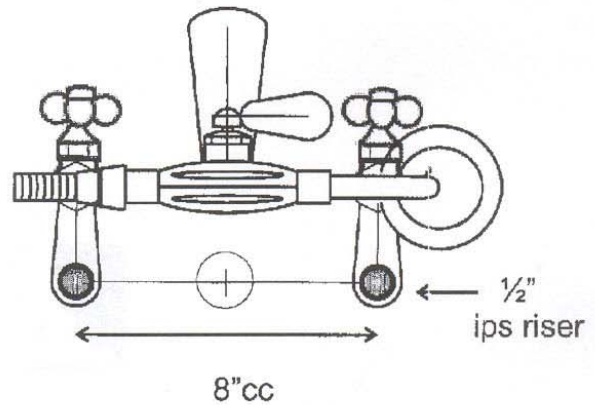


# SUNRISE SPECIALTY CO.

TOP



Center w/o  
#48 Tower Drain

## 433 Tubfill/Handshower Specifications

400-6 Wall Bracket (not illustrated)  
Adjustable from 5-18"

400-11 Straight Stop (less handle)

405-1 Flange Only

413-3 60" Hose Only

413-5 Handshower Only

433-4 22" Supply Riser Only

433-5 Cold Water Supply

433-6 Hot Water Supply

Floor Flange Dia. = 3"

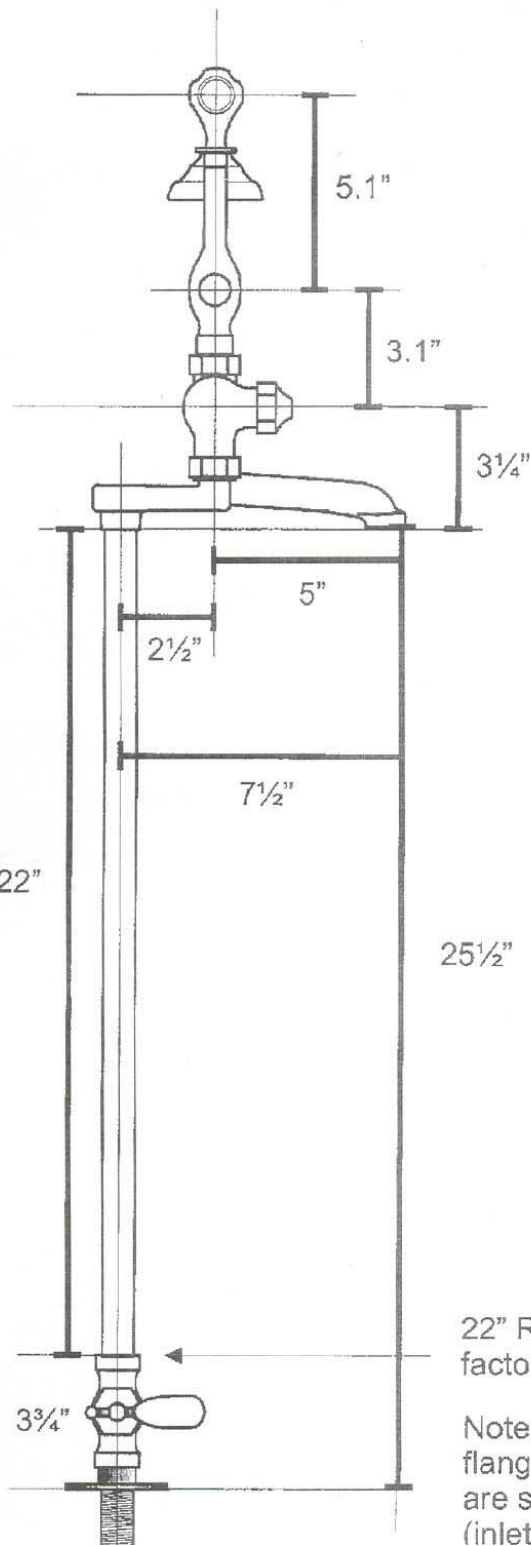
Rough Supply Lines 8"cc

433-7 (x2) supplied with tubs drilled  
8"cc on deck

433-8 Bracket supplied when shipped  
with #48 Tower Drain



The 433 faucet is IAPMO  
ASME A112.18.1-2003 Listed



22" Riser / stop  
factory connected & sealed

Note: Straight stop,  
flange & supply nipple  
are shipped unassembled  
(inlet 1/2" NPSM)