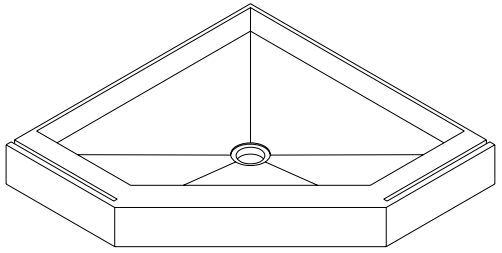


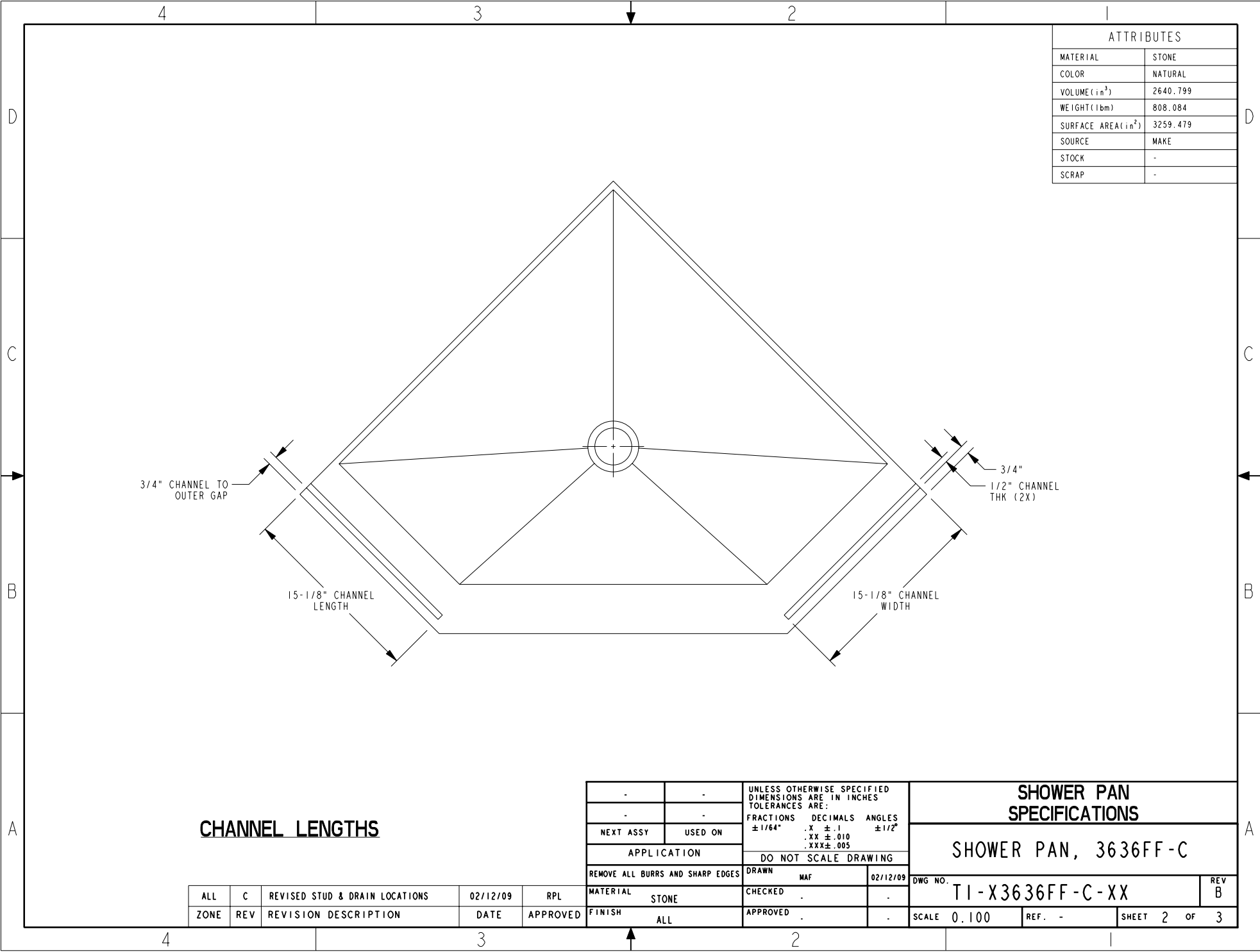
ATTRIBUTES	
MATERIAL	STONE
COLOR	NATURAL
VOLUME (in ³)	2640.799
WEIGHT (lbm)	808.084
SURFACE AREA (in ²)	3259.479
SOURCE	MAKE
STOCK	-
SCRAP	-



-	-	UNLESS OTHERWISE SPECIFIED DIMENSIONS ARE IN INCHES TOLERANCES ARE:		
-	-	FRACTIONS	DECIMALS	ANGLES
NEXT ASSY	USED ON	± 1/64"	.X ± .1	± 1/2°
APPLICATION		.XX ± .010	DO NOT SCALE DRAWING	
REMOVE ALL BURRS AND SHARP EDGES		.XXX ± .005	DRAWN	MAF
MATERIAL	STONE	CHECKED	-	02/12/09
FINISH	ALL	APPROVED	-	-

SHOWER PAN SPECIFICATIONS			
SHOWER PAN, 3636FF-C			
DWG NO.		REV	
TI-X3636FF-C-XX		B	
SCALE	REF.	SHEET	OF
0.100	-	1	3

ALL	C	REVISED STUD & DRAIN LOCATIONS	02/12/09	RPL
ZONE	REV	REVISION DESCRIPTION	DATE	APPROVED



ATTRIBUTES	
MATERIAL	STONE
COLOR	NATURAL
VOLUME (in ³)	2640.799
WEIGHT (lbm)	808.084
SURFACE AREA (in ²)	3259.479
SOURCE	MAKE
STOCK	-
SCRAP	-

3/4" CHANNEL TO OUTER GAP

3/4"
1/2" CHANNEL THK (2X)

15-1/8" CHANNEL LENGTH

15-1/8" CHANNEL WIDTH

CHANNEL LENGTHS

ALL	C	REVISED STUD & DRAIN LOCATIONS	02/12/09	RPL
ZONE	REV	REVISION DESCRIPTION	DATE	APPROVED

-	-	UNLESS OTHERWISE SPECIFIED DIMENSIONS ARE IN INCHES TOLERANCES ARE:		
-	-	FRACTIONS	DECIMALS	ANGLES
NEXT ASSY	USED ON	± 1/64"	.X ± .1	± 1/2°
APPLICATION		DO NOT SCALE DRAWING		
REMOVE ALL BURRS AND SHARP EDGES		DRAWN	MAF	02/12/09
MATERIAL	STONE	CHECKED	-	-
FINISH	ALL	APPROVED	-	-

SHOWER PAN SPECIFICATIONS

SHOWER PAN, 3636FF-C

DWG NO.	TI-X3636FF-C-XX	REV	B
SCALE	0.100	REF.	-
SHEET 2 OF 3			

4

3

2

1

D

C

B

A

D

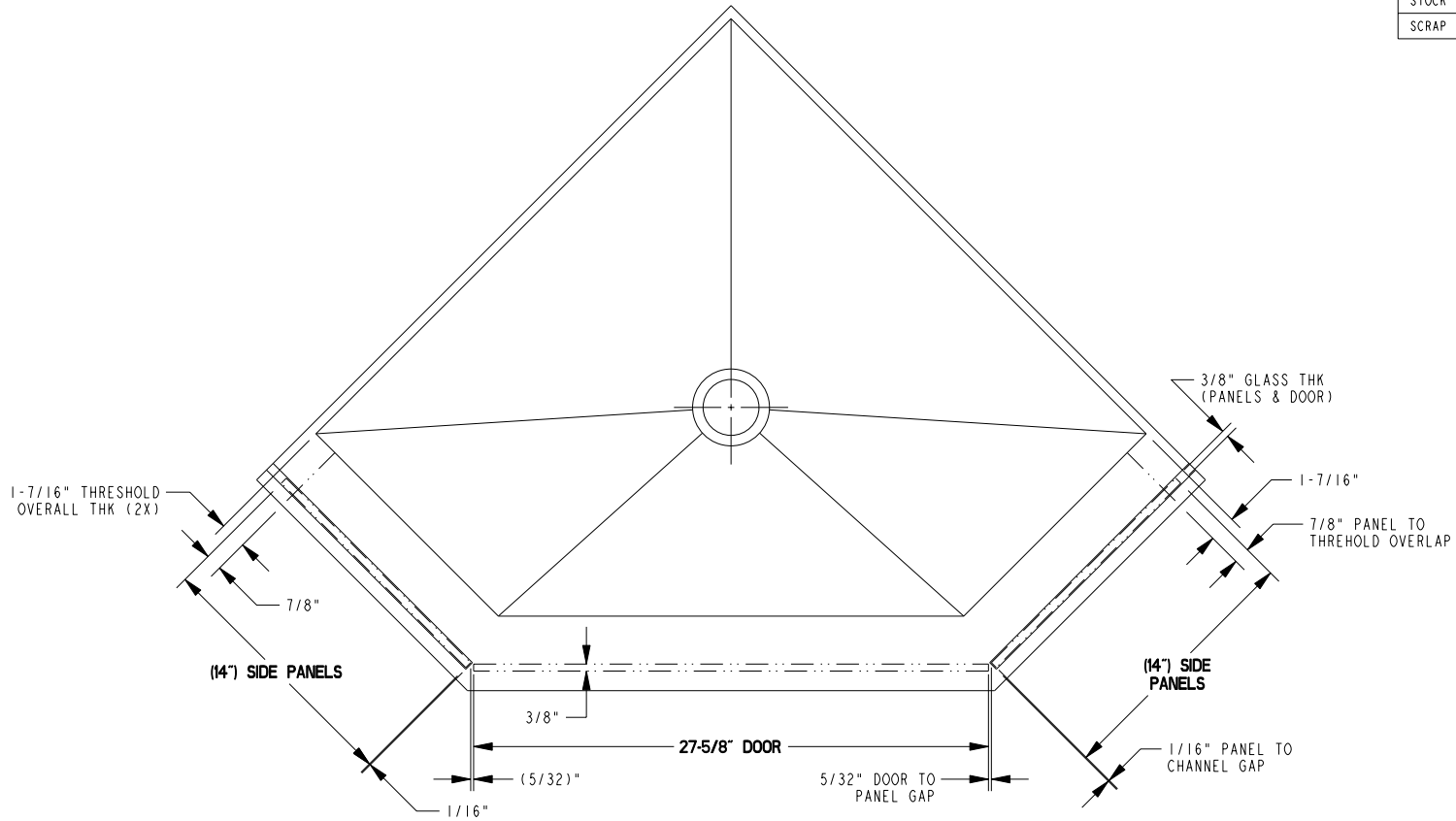
C

B

A

ATTRIBUTES

MATERIAL	STONE
COLOR	NATURAL
VOLUME (in ³)	2640.799
WEIGHT (lbm)	808.084
SURFACE AREA (in ²)	3259.479
SOURCE	MAKE
STOCK	-
SCRAP	-



GLASS SIZES & LOCATION

ALL	C	REVISED STUD & DRAIN LOCATIONS	02/12/09	RPL
ZONE	REV	REVISION DESCRIPTION	DATE	APPROVED

-	-	UNLESS OTHERWISE SPECIFIED DIMENSIONS ARE IN INCHES TOLERANCES ARE:		
-	-	FRACTIONS	DECIMALS	ANGLES
NEXT ASSY	USED ON	± 1/64"	.X ± .1	± 1/2°
APPLICATION		DO NOT SCALE DRAWING		
REMOVE ALL BURRS AND SHARP EDGES		DRAWN	MAF	02/12/09
MATERIAL	STONE	CHECKED	-	-
FINISH	ALL	APPROVED	-	-

SHOWER PAN SPECIFICATIONS

SHOWER PAN, 3636FF-C

DWG NO.	TI-X3636FF-C-XX	REV	B
SCALE	0.100	REF.	-
SHEET	3	OF	3