

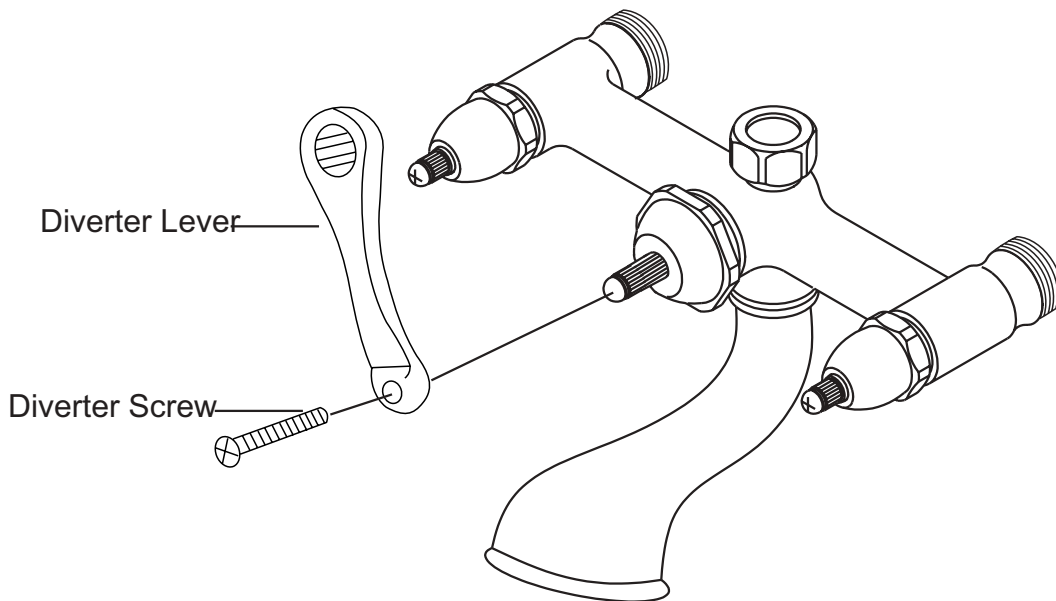


Elizabethan Classics

Assembly Instructions for RM01 thru RM05

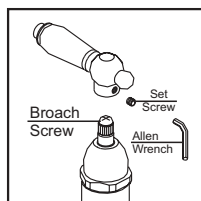
NOTE: USE TEFLON TAPE ON ALL THREADED CONNECTIONS

1. Shut off the water supply valves before installation.
2. According to your requirement, connect the riser or swivel arm connector kit to the faucet body.
3. Attach the diverter lever onto diverter valve and tighten the diverter screw.
3. Install handles. After installation is completed. Turn on the water supply valves and allow both hot and cold water to run at least one minute each. While water is running. Check for leaks, especially at hook-ups to supply lines. Tightening nuts slightly will stop any minor leaks.



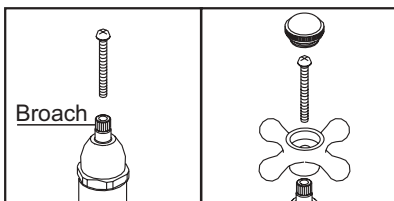
Assembly Instructions for Handles

Lever Handles:



1. Be sure that the broach screws are tightened before installing the lever handles.
2. Install the lever handles on the broaches and tighten the set screws using the allen wrench provided.

Cross Handles:



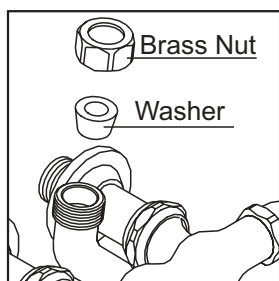
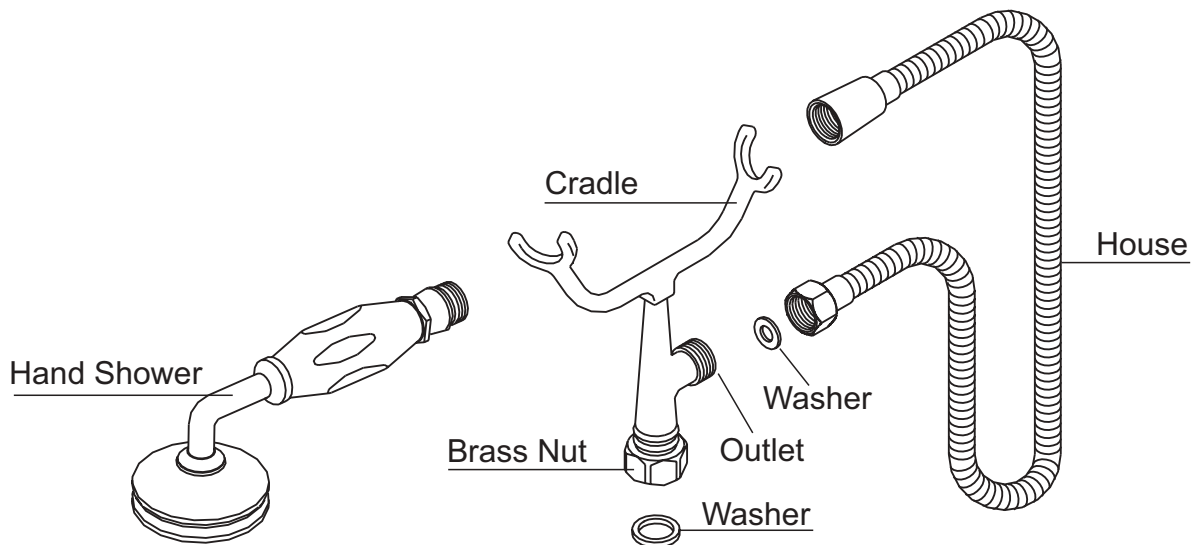
1. Remove the screws from the top of the broaches.
2. Remove the insert caps from the cross handles.
3. Put the cross handles on the broaches and then tighten the screws. Insert the caps on the cross handles.



Elizabethan Classics

NOTE: USE TEFLON TAPE ON ALL THREADED CONNECTIONS

1. Remove the washer and brass nut from the riser joint on the faucet body. See below illustration.
2. Be sure there is a washer in the under the brass nut of cradle, then connect the cradle to the faucet body. Tighten the brass nut.
3. Attach the hose to the outlet of the cradle and hand shower. Place the hand shower on the cradle.



NOTE: Remove the washer and brass nut from the riser joint on the faucet body before installation.