

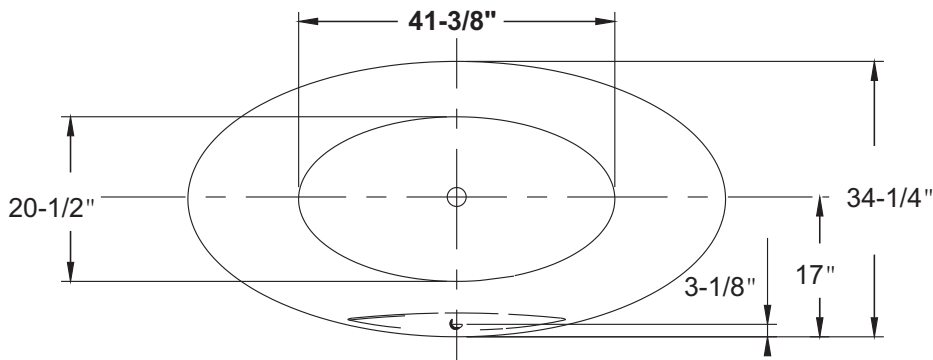


*Elizabethan  
Classics*

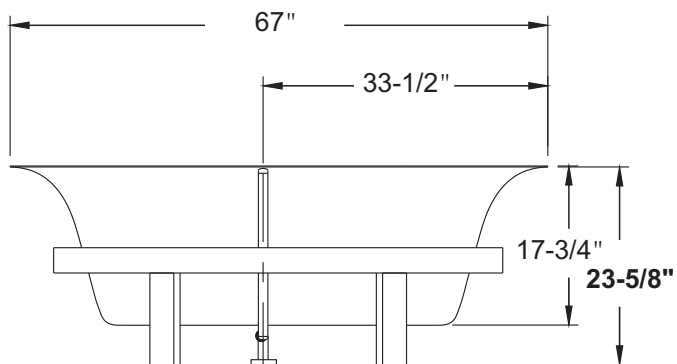
## Specification for ECAOVAL67

Hole	Diameter
Drain	2" +/- 1/8
Over Flow	2-1/4" +/- 3/16
Faucet	-----
Capacity	46 US Gallon
Weight of Tub	95.7 lbs
Weight of Tub filled with water	480.7 lbs
Bathing well	41-3/8" X 20-1/2"

**Top View**



**Side View**



**End View**

