



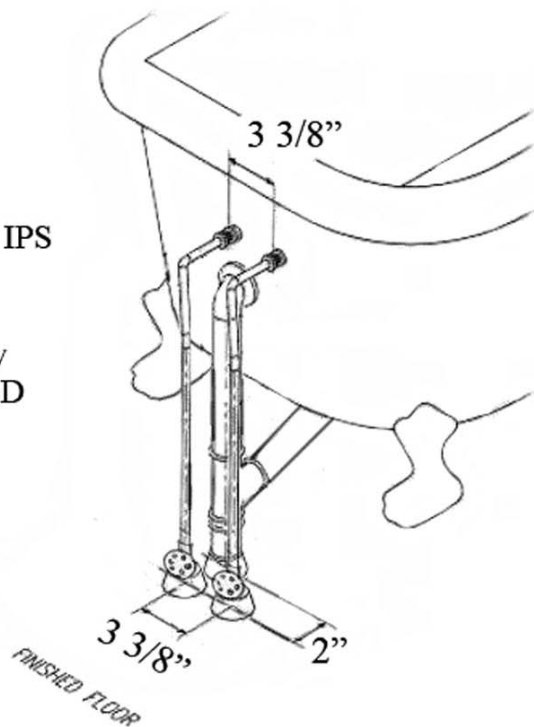
Drain & Supply Rough-In

Single Offset Tub Supply Lines with Metal Cross Supply Stops
by Randolph Morris

Item #: RM342-90D

DRAINS:

The roughing-in of clawfoot tub plumbing starts with placing the drain. The drain rough-in hole is centered on a plumb line from the center of the roll rim to the floor. The center of the drain hole should be at least 4" from a finished wall. Rough-in 1 1/2" male IPS with 1/2" of threads above the finished floor for the drain. Please note that Elizabethan Classics, Spring House, American Bath Factory and Sunrise Specialty Drains measure 1 1/2" OD and do not require the compression washer that the 1 3/8" OD Sign of the Crab Drains require (included).



SUPPLY LINES:

RM342-90D – (WITH VALVES) Rough in 1/2" IPS female fitting in the floor.

We strongly recommend tub and hardware be on site prior to rough-in.