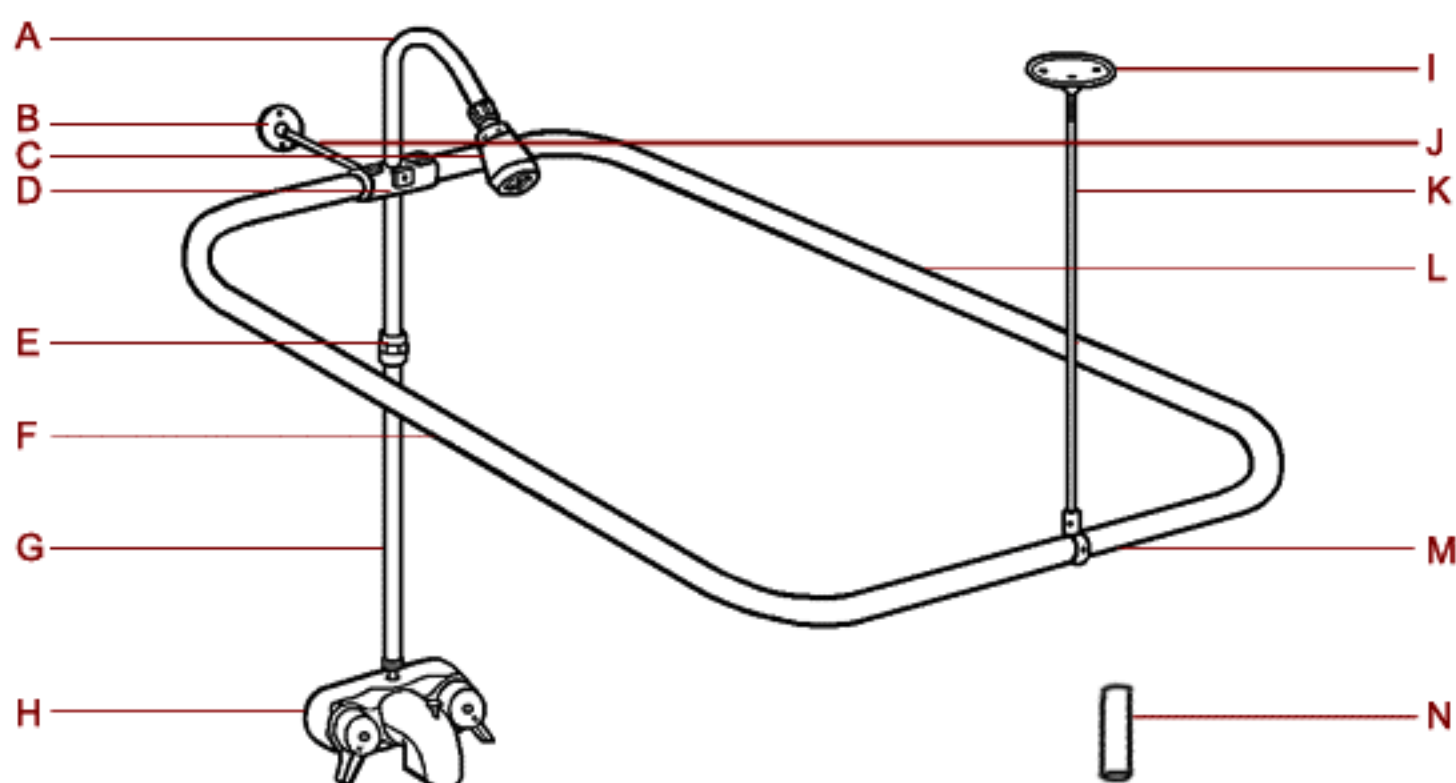


Add-A-Shower Enclosure

Installation Instructions for item no. R2200BR

Parts List	QTY	Measurements
A. Bent riser section	1	
B. Wall support flange	1	
C. Econ shower head	1	
D. R3180 3-Way bracket	1	
E. Coupling	1	
F. Frame section A	1	42"L & 3/4"OD
G. Riser section	1	36"
H. R3100 Faucet	1	
I. Ceiling support flange	1	
J. Wall support tube	1	12"L & 5/8"OD
K. Ceiling support rod	1	30"L & 5/8"OD
L. Frame section B	1	42"L & 3/4"OD
M. Ceiling support loop	1	
N. Die cast metal fitting	1	



Use Teflon tape or pipe joint compound on all threaded connections to prevent leaks.

Assemble R3100 faucet (H) to tub.

Slip R3180 3-Way Bracket (D) onto the bent riser sections (A) and lightly tighten set screw. Join 36" riser section (G) to bent riser section (A) with coupling attached (E).

Thread the complete riser assembly into the top nut on the R3100 faucet (H). Attach the wall support flange (B) to the wall 40" to 44" above the R3100 faucet (H) with wood screws.

Thread wall support tube (J) into wall support flange (B) and cut so that when inserted into R3180 bracket (D) the riser assembly will be in a vertical position. Insert wall support tube (J) into R3180 3-Way Bracket (D) and tighten set screw.

Assemble frame section A (F) with frame section B (L) using special die cast metal adaptor (N). Slide CL75 ceiling support loop (M) onto frame assembly and slide 12 curtain pins on each side of loop.

Attach the open end of the frame assembly onto the R3180 bracket (D), making sure the holes in the frame assembly align with the holes in the bracket.

Place 30" ceiling support rod (K) alongside the CL75 ceiling support loop (M) and mark ceiling location for CF ceiling support flange (I). Also mark proper length of ceiling support rod (K) and cut with metal saw.

Remove frame assembly from R3180 wall bracket (B) and install CF ceiling support flange (I) with wood screws. Screw ceiling support rod (K) into ceiling support flange (I).

Reassemble frame assembly to R3180 wall bracket (B) and slip ceiling support rod (K) into CL75 ceiling support loop (M) and tighten set screw.

Insert the two self tapping screws into wall bracket (B) and tighten.

Attach Econ shower head (C) to top of riser.