

N570 01

N570 01 TUB & SHOWER FAUCET

Product Features

Single handle pressure balance

Maximum flow rate

Shower head 2.5 GPM @ 80PSI

Minimum flow rate

Tub spout 2.4 GPM @ 20PSI

Brass showerhead

Metal shower arm

Drip free ceramic cartridge

Diverter on spout

Metal lever handle

Standards/Approvals

N570 01 meets or exceeds:

ANSI/ASME A112.18.1

IAPMO/UPC

Massachusetts

N570 01 meets ADA requirements



UPC®

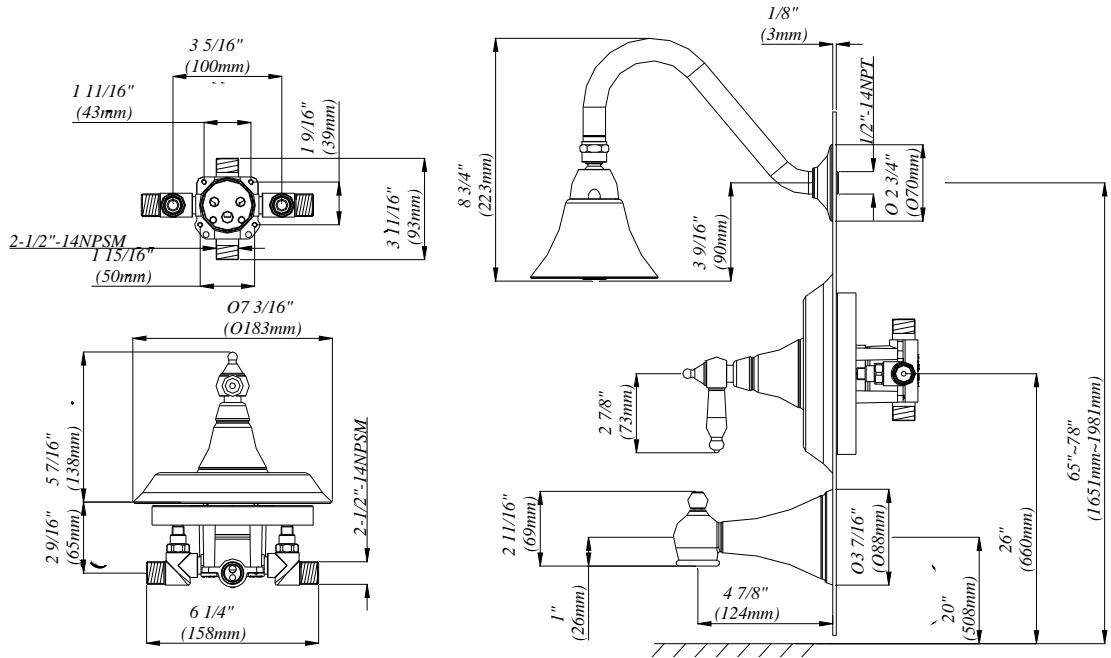
PRODUCT SPECIFICATION:

Single handle pressure balance tub & shower faucet shall have a brass body, ceramic cartridge, metal lever handle. Product shall be Belle Forêt model N570 01.



N570 01 TUB & SHOWER FAUCET

Pressure Balance Installation



Available Finishes

- Chrome
- Satin Nickel
- Oil Rubbed Bronze
- Tumbled Bronze

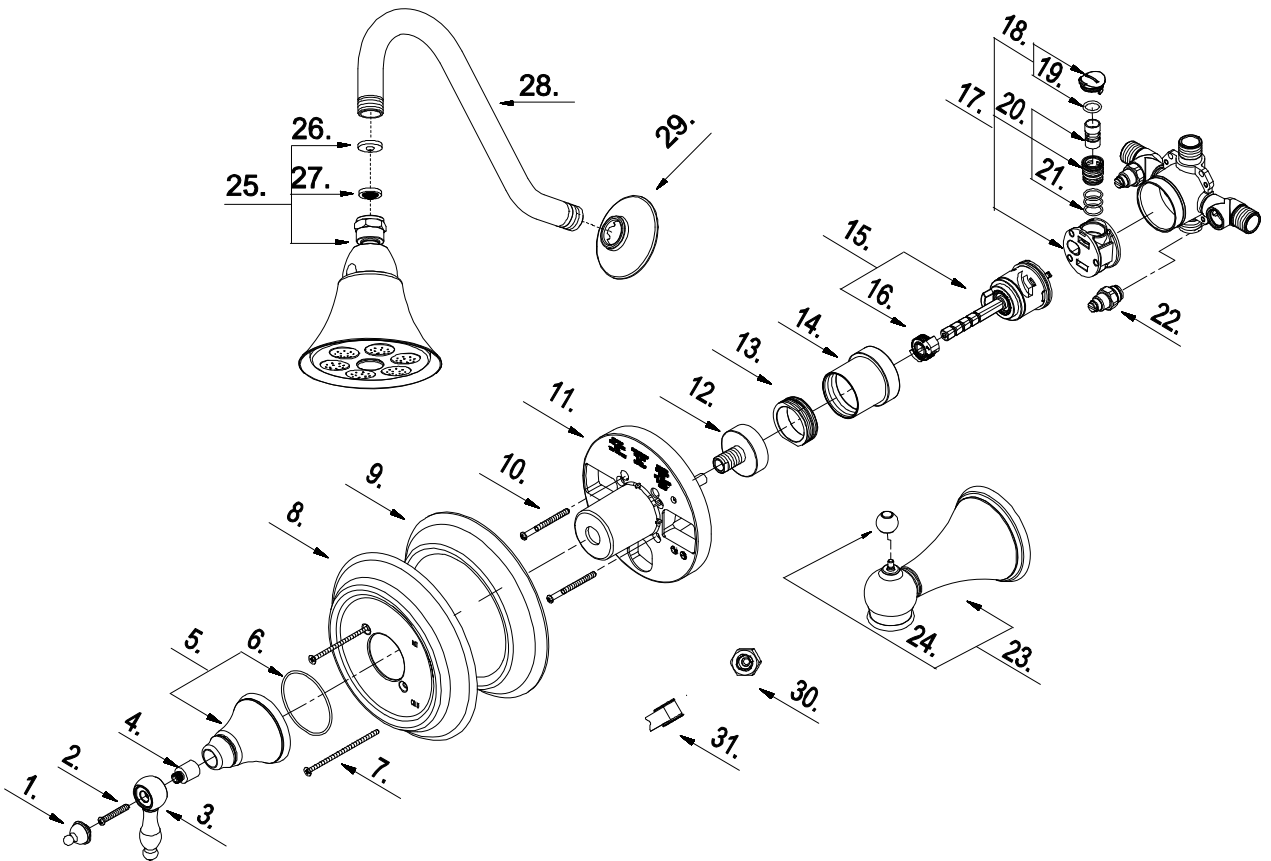


Belle Forêt
collection

N570 01

TUB & SHOWER FAUCET

PARTS BREAKDOWN





Belle Forêt
collection

N570 01

TUB & SHOWER FAUCET

PARTS LISTING

NO	Part Name	Part Number	Q'ty
1	Handle Cap	A206939xx	1
2	Screw (3/16" -24 * 1-3/8" L)	A008209	1
3	Metal Handle	A029622xx	1
4	Handle Adaptor	A057619xx	1
5	Handle Base	A66D121xx	1
6	O-Ring (Φ2-5/16" ID * Φ2-1/2" OD)	A063095	1
7	Screw (3/16" -24 * 3-9/16" L)	A008662xx	2
8	Escutcheon	A007091xx	1
9	Escutcheon Seal	A068079	1
10	Screw(3/16" -24 * 2-3/16" L)	A008241	2
11	Plaster Guard	A127008	1
12	Base Nut	A009921	1
13	Locking Nut	A104105	1
14	Sleeve	A041061	1
15	Ceramic Disc Cartridge	A507734	1
16	Temperature Limiting Device	A603570	1
17	Pressure Balancing Insert	A034275	1
18	Cap	A603632	1
19	O-Ring(Φ5/8" ID * Φ3/4" OD)	A004015	1
20	Piston& Cylinder Assembly	A208256	1
21	O-Ring (Φ9/16" ID *Φ5/8" OD)	A048026	1
22	Check Valve	A663987	1
23	Spout w/ Diverter	A666744xx	1
24	Spout Diverter	A124348xx	1
25	Shower Head	S1110508xx	1
26	Flow Restrictor	A113011	1
27	Screen Washer	A022028xx	1
28	Shower Arm	A020848xx	1
29	Shower Arm Flange	A019298	1
30	Plug	A028452	1
31	Pipe Tape	A203000	1

xx designates finish matched parts.