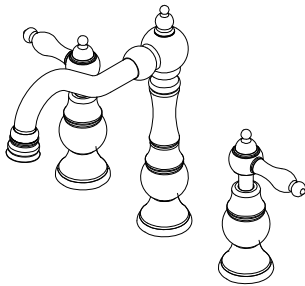




N370 01

TWO HANDLE LAVATORY FAUCET



N370 01

Product Features

- 6-12" Widespread Installation
- 2.2 GPM @ 60PSI water saving aerator
- Brass body
- 1/2" 14 NPS Inlet
- Ceramic cartridge
- Metal Lever Handle

Standards/Approvals

- N370 01 meets or exceeds:
- ANSI/ASME A112.18.1
- ANSI/NSF 61 – Sec 9
- IAPMO/UPC
- California Proposition 65
- Massachusetts
- N370 01 meets ADA requirements



UPC®



PRODUCT SPECIFICATION:

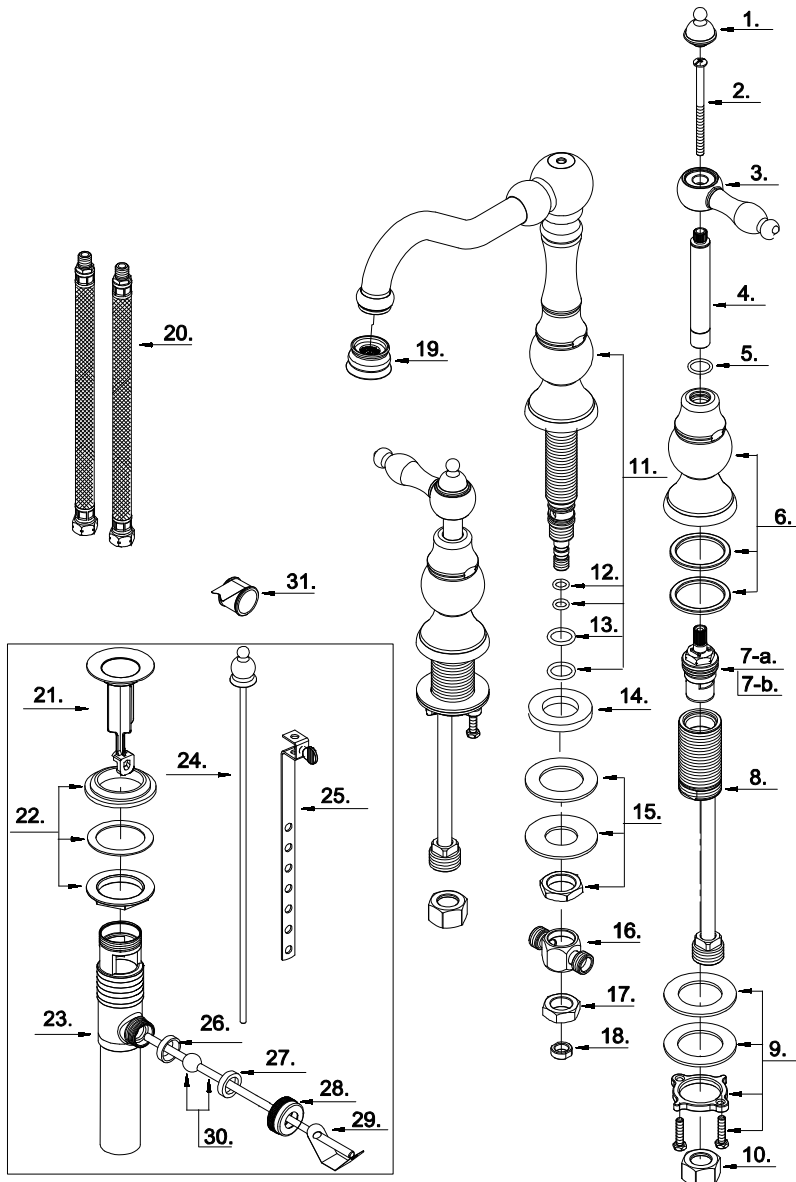
Two-handle widespread lavatory faucet shall have a brass body, ceramic cartridge, 6-5/16" spout and metal lever handle. Product shall be able to be installed in 6-12" widespread installation. Product shall be Belle Forêt model N370 01.



Belle Forêt
collection

N370 01 TWO HANDLE LAVATORY FAUCET

PARTS BREAKDOWN





Belle Forêt
collection

N370 01

TWO HANDLE LAVATORY FAUCET

PARTS LISTING

NO	Part Name	Part Number	Q'ty
1	Handle Cap	A206939xx	2
2	Screw (3/16" -24 * 3-3/4" L)	A008019	2
3	Metal Handle	A029622xx	2
4	Handle Adaptor	A035433xx	2
5	O-Ring (Φ1/2" ID * Φ5/8" OD)	A004062	2
6	Handle Base	A66D110xx	2
7-a	Ceramic Disc Cartridge-Cold	A507376N	1
7-b	Ceramic Disc Cartridge-Hot	A507375N	1
8	Handle Valve Body	A061854N	1
9	Mounting Hardware	A663951	2
10	Coupling Nut	A009016	2
11	Spout Assembly	A666770Nxx	1
12	O-Ring (Φ1/4" ID * Φ7/16" OD)	A004046N	2
13	O-Ring (Φ9/16" ID * Φ3/4" OD)	A004005N	2
14	Washer	A010097	1
15	Mounting Hardware	A663560	1
16	Supply Hose	A105759N	1
17	Lock Nut	A009015	1
18	Nut	A009202	1
19	Aerator	A500141N-50	1
20	O-Ring (Φ1/4" ID * Φ3/8" OD)	A072007N	1
21	Pop-up Plunger Assembly	A663121xx	1
22	Washer and Nut	A663122	1
23	Pop-up Body	A605222	1
24	Lift Rod	A025467xx	1
25	Lift Rod Strap	A663521	1
26	Washer (Inner)	A200109	1
27	Washer (Outer)	A200009	1
28	Ball Nut	A009063	1
29	Spring Clip	A120030	1
30	Ball Rod (8-1/2" L)	A026005	1
31	Pipe Tape	A203000	1

xx designates finish matched parts.