

*Belle Forêt*  
collection

# N140, 141, 142 SINGLE HANDLE KITCHEN FAUCET

## Product Features

2, 3 or 4-Hole Installation

2.2 GPM @ 60PSI water saving aerator

Metal side spray with finish matched lever

Brass body

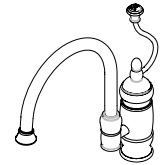
1/2" 14 NPS Inlet

Ceramic cartridge

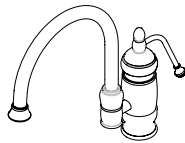
Handle:

Spiral handle      N140 03, N141 03, N142 03

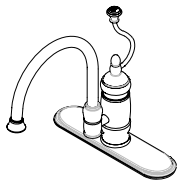
Pump handle      N140 04, N141 04, N141 04



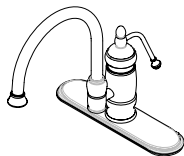
**N140 03**



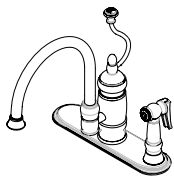
**N140 04**



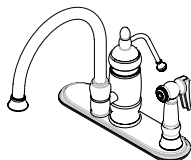
**N141 03**



**N141 04**



**N142 03**



**N142 04**

## Standards/Approvals

N140, N141, N142 meets or exceeds:

ANSI/ASME A112.18.1

ANSI/NSF 61 – Sec 9

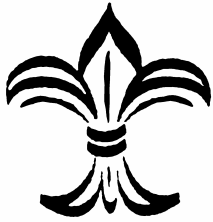
IAPMO/UPC

UPC®



## PRODUCT SPECIFICATION:

Single-handle kitchen faucet shall have a brass body, ceramic cartridge, 9-15/16" spout, metal side spray with finish matched lever and metal spiral or metal pump handle. Product shall be able to be installed in 2, 3 or 4-hole installation. Product shall be Belle Forêt model N14\_\_\_\_\_.



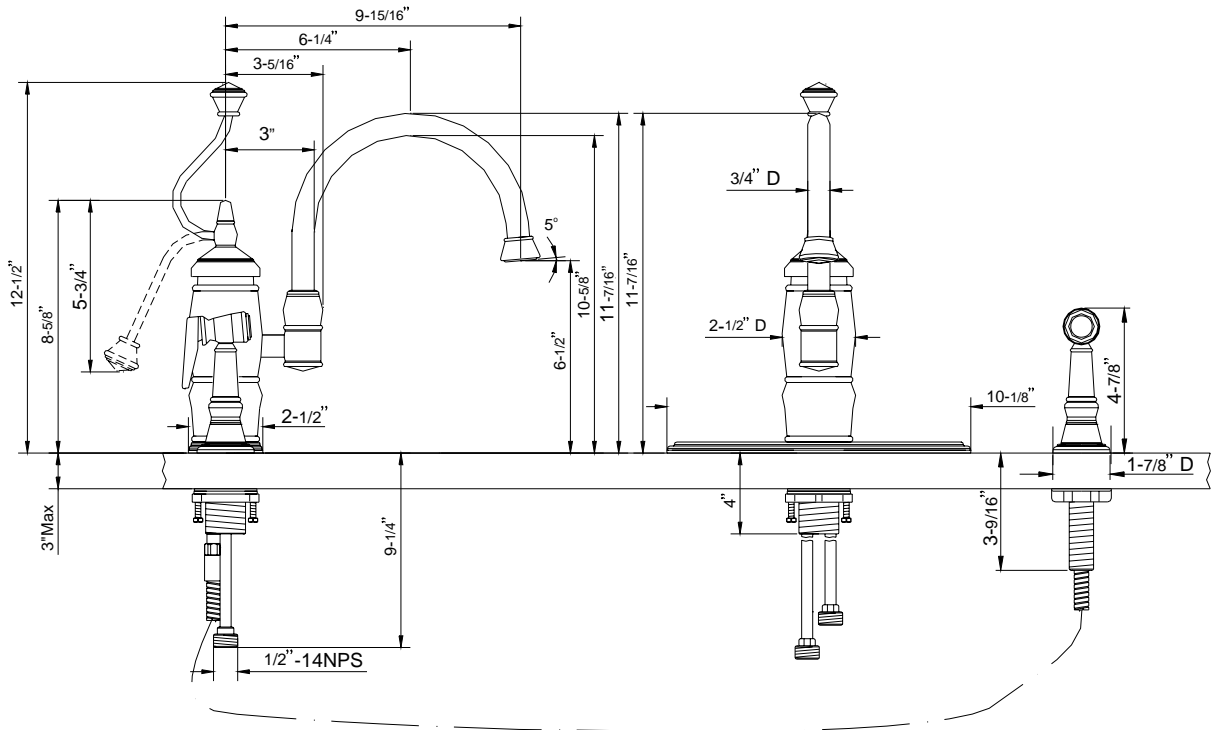
*Belle Forêt*  
collection

# N140, 141, 142

## SINGLE HANDLE KITCHEN FAUCET

### 4-Hole Installation Shown

(With Deckplate)

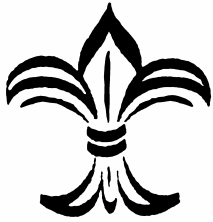


### Other Specifications

Faucet Hole diameter	1-1/2"
Deck Plate	10-1/8" x 2-1/2"
Single Post Mount Installation (less deckplate)	
Max Deck Thickness	3-3/8"
Body Base Diameter	2-5/16"
Spout Height	11-1/16"
Aerator Clearance	6-1/8"
Spout Clearance	10-1/4"

### Available Finishes

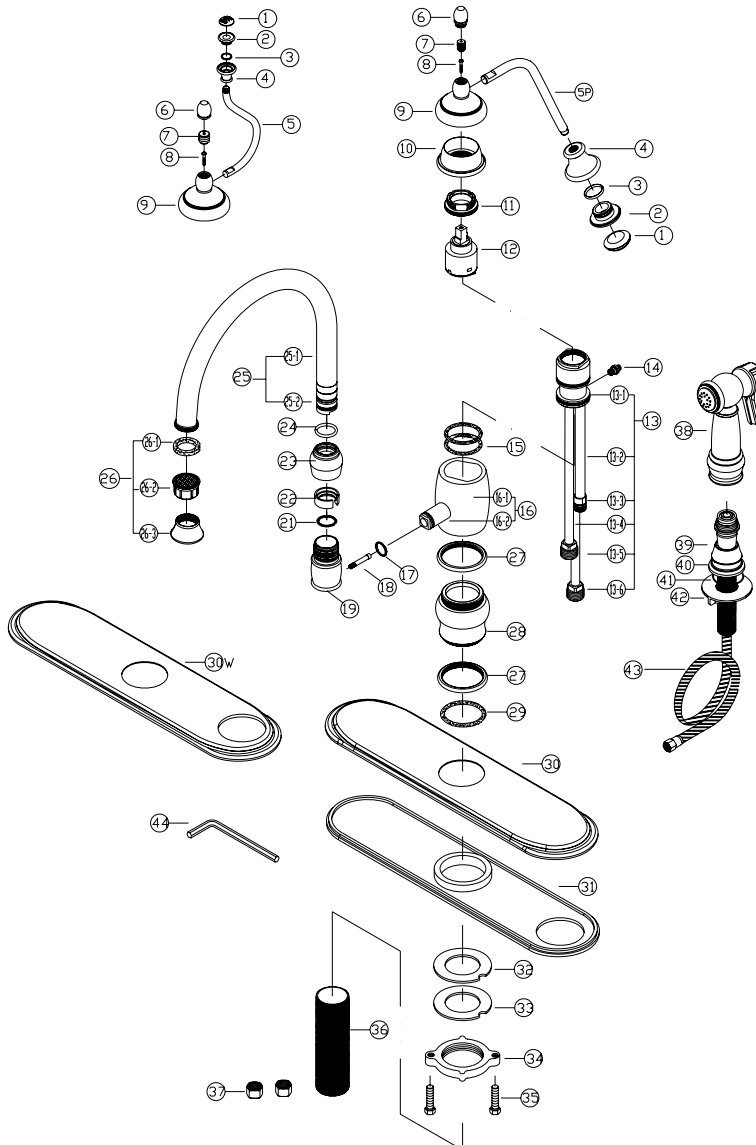
- Chrome
- Polished Brass
- Satin Nickel
- Oil Rubbed Bronze
- Matte Nickel

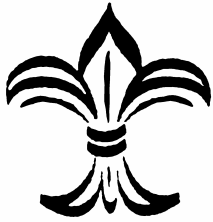


Belle Forêt  
collection

# N140, 141, 142 SINGLE HANDLE KITCHEN FAUCET

## PARTS BREAKDOWN





*Belle Forêt*  
collection

# N140, 141, 142 SINGLE HANDLE KITCHEN FAUCET

## PARTS LISTING

NO	Parts Name	Parts #	Qty	NO	Parts Name	Parts #	Qty
1	Porc. Index	GPH02xx	1	21	O-RING	663970N	1
2	Index		1	22	Clip ring		1
3	O-RING		1	24	O-RING		1
4	Knob		1	26	Aerator	500767Nxx	
5P	Pump wire		1	26-1			1
6	Cap		1	26-2			1
7	Set screw		1	26-3			1
44	Allen wrench		1	21	O-RING	666556Nxx	1
8	Screw		1	22	Clip ring		1
9	Canopy	1	24	O-RING	1		
1	Porc. Index	1	23	Bonnet	1		
2	Index	1	25	Spout assembly	1		
3	O-RING	1	25-1				1
4	Knob	1	25-2	1			
5	Spiral wire	1	26	Aerator	1		
6	Cap	1	26-1				1
7	Set screw	1	26-2			1	
44	Allen wrench	1	26-3			1	
8	Screw	1	27	Trim ring	667373xx	1	
9	Canopy	1	29	O-RING	1		
7	Set screw	663974	1	30	Deck plate	DPNHxx	1
44	Allen wrench	1	31	Bottom plate	1		
10	Cap	103222xx	1	30W	Deck plate	DPWHxx	1
11	Retainer nut	104002	1	31	Bottom plate	1	
12	Cartridge	507348N	1	32	Seal	663971	1
13	Body assembly			33	Washer		1
13-1			1	34	Wing nut		1
13-2			1	35	Screw	2	
13-3			1	37	Nut	009016	2
13-4			1	38	Spray head	503122Nxx	1
13-5			1	39	Spray holder	664160xx	1
13-6			2	40	Spray flange		1
14	Diverter	1	41	O-RING	1		
15	O-RING	2	42	Nut	1		
16	Sleeve	661371Nxx		43	Spray hose	511103Nxx	1
16-1			1				
16-2	1						
17	O-RING	1					
18	Connector	1					
19	Spout base	1					
27	Trim ring	2					
28	Body base	1					
29	O-RING	1					
36	Shank	1					

xx designates finish matched parts.