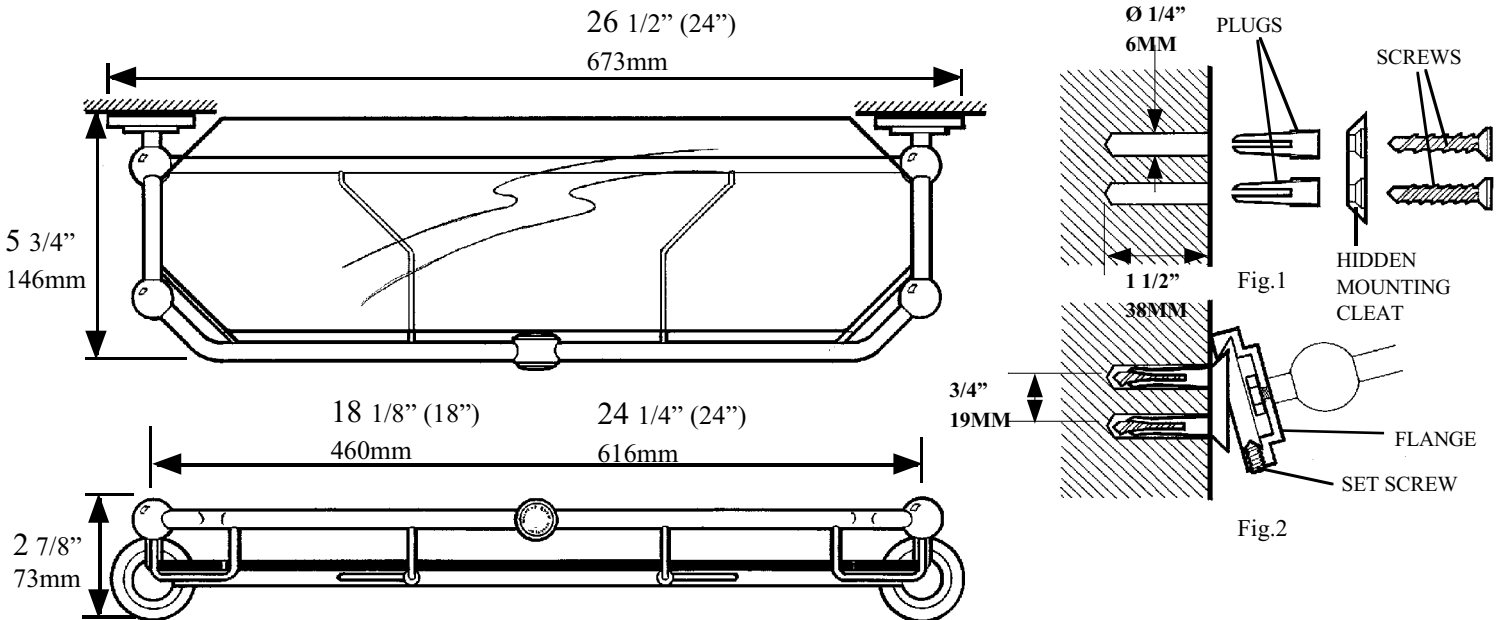


INSTALLATION INSTRUCTIONS GALLERY SHELF

24"- 2041.

The Gallery Shelf has a unique angular design and is ideally suited to use in the bathroom for the storage of a variety of items. It is available 24" long and the glass used is 1/4" thick and tempered so it is extremely unlikely to break under normal conditions.

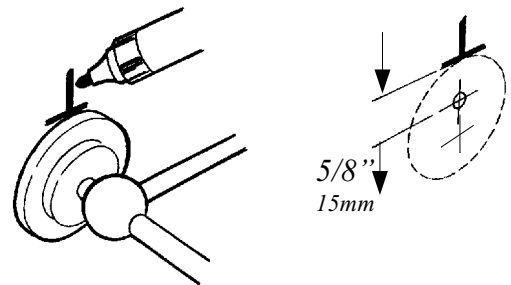


N.B. The measurements on the drawings above are provided as a guide only. Due to the nature of manufacture, variations may occur and therefore we recommend that you use the components themselves as a template for installation wherever possible.

First remove the hidden mounting cleats from the back of the flanges by loosening the set screws at the bottom of the flanges.

Present the basket to the wall at your chosen position. Hold it firmly in place while you mark the vertical centre lines of the two flanges. Measure 5/8" (15mm) directly down from this mark for the position of the **top** hole for each hidden mounting cleat, **as illustrated here.**

Now use the hidden mounting cleat itself as a template to mark the **bottom** hole, it is recommended that you drill the top hole and attach the hidden mounting cleat with one screw using the top hole in order to mark the bottom hole accurately.



Screws and plugs are provided for installing the basket to a solid brick or stone wall, however, a more appropriate method of fixing may be necessary depending on the structure of the wall. If you are using the screws and plugs provided then the holes should be drilled Ø1/4" (Ø6mm). **See Fig.1** Once both hidden mounting cleats are securely in place, present the basket up to them at a slight angle such that the top of the cleats engage the internal undercuts in the back of the flanges. **see Fig.2**

Push the basket firmly against the wall, ensuring the flanges are flush and using an 3/32" (2.5mm) Allen wrench tighten the set screw in the bottom of the flanges. (N.B.. If it is found that there is any out of squareness between the wall and the flanges of the basket, then the mounting cleats need to be packed out appropriately in order for the basket to be mounted securely.)

WARNING:

Although the shelf is made of tempered glass it may break into sharp pieces if dropped. Although every effort has been made to secure the glass safely when it is in the frame, care should be taken when installing and removing it for cleaning. When carrying it, use two hands and ensure it and your hands are not slippery.

Hollys of Bath
Braeside Works, Wesley Close, Frome,
Bath BA11 1EA, England.
Tel: +44 (0)1373 461693 Fax: +44 (0)1373 462676
e-mail: sales@hornbeam.ndirect.co.uk

MADE IN ENGLAND