



# Elizabethan Classics

## Assembly Instructions for CS01 thru CS05

### NOTE: USE TEFLON TAPE ON ALL THREADED CONNECTIONS

**SHUT OFF THE WATER SUPPLY VALVES UNDER THE SINK.** Cover the sink drain so that no small parts are lost down it. Remove your old faucet. Caution: Do not damage your old water supply lines. Clean the surface of the sink in preparation for installing the new faucet.

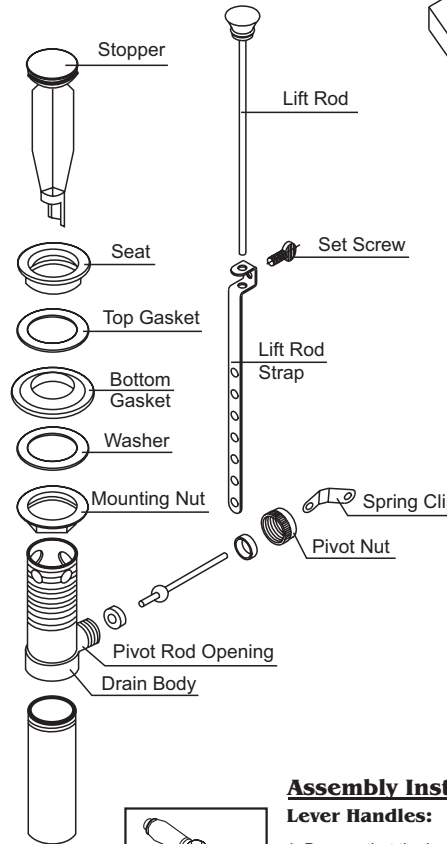
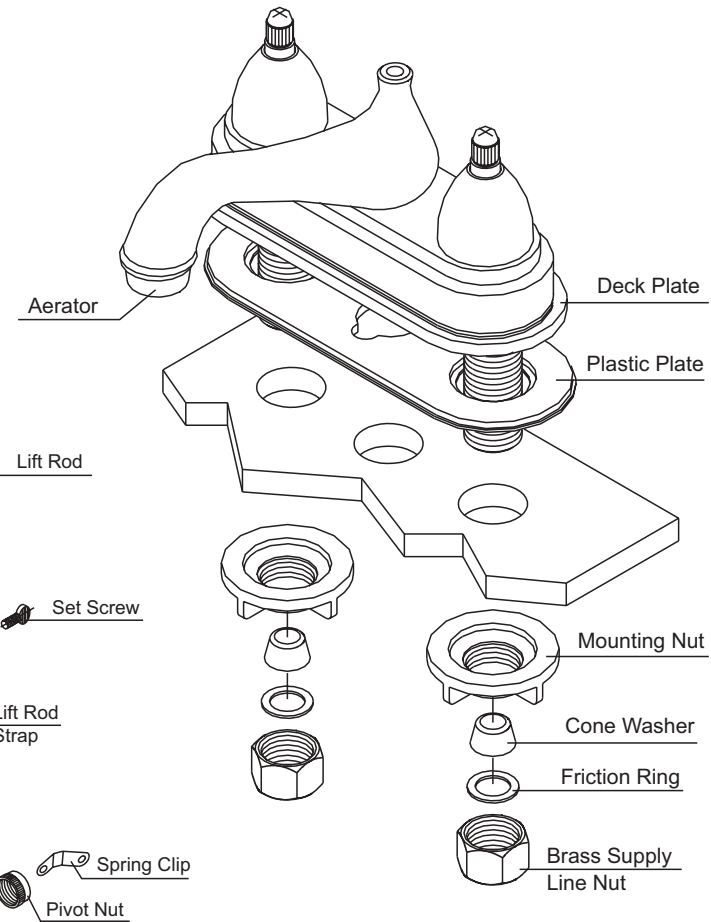
#### FAUCET INSTALLATION:

1. Place the plastic plate under the deck plate, then install the faucet in position on the sink. Thread the mounting nuts onto the threaded shanks of the faucet, and tighten.
2. Connect the supply lines to the threaded shanks. Tighten brass supply line nuts securely. CAUTION - OVERTIGHTENING CAN STRIP OR OVER STRESS THREADS.
3. Install handles.

#### POP-UP INSTALLATION:

1. Unscrew seat and top gasket from pop-up assembly.
2. Slip drain body through the drain opening and screw seat and top gasket onto the drain body.
3. Drop stopper into place. Remove pivot nut and insert pivot rod into pivot rod opening, making sure the pivot rod engages the stopper properly.
4. Remove spring clip from pivot rod and slide pivot nut over pivot rod and thread onto pivot rod opening. Tighten firmly, being careful not to overtighten.
5. With lift rod in position on the faucet, insert the lift rod through the lift rod strap and secure with the set screw.
6. Guide the pivot rod through one of the holes on the lift rod strap and secure it with the spring clip, then adjust the height of the lift rod by resetting the set screw.

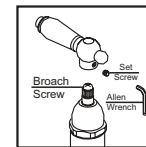
**AFTER INSTALLATION IS COMPLETED,** remove the aerator. Turn on the water supply valves and allow both hot and cold water to run at least one minute each. While water is running, check for leaks, especially at hook-ups to supply lines. Tightening nuts slightly will stop any minor leaks.



### Assembly Instructions for Handles

#### Lever Handles:

1. Be sure that the broach screws are tightened before installing the lever handles.
2. Install the lever handles on the broaches and tighten the set screws using the allen wrench provided.



#### Cross Handles:

1. Remove the screws from the top of the broaches.
2. Remove the insert caps from the cross handles.
3. Put the cross handles on the broaches and then tighten the screws. Insert the caps on the cross handles.

