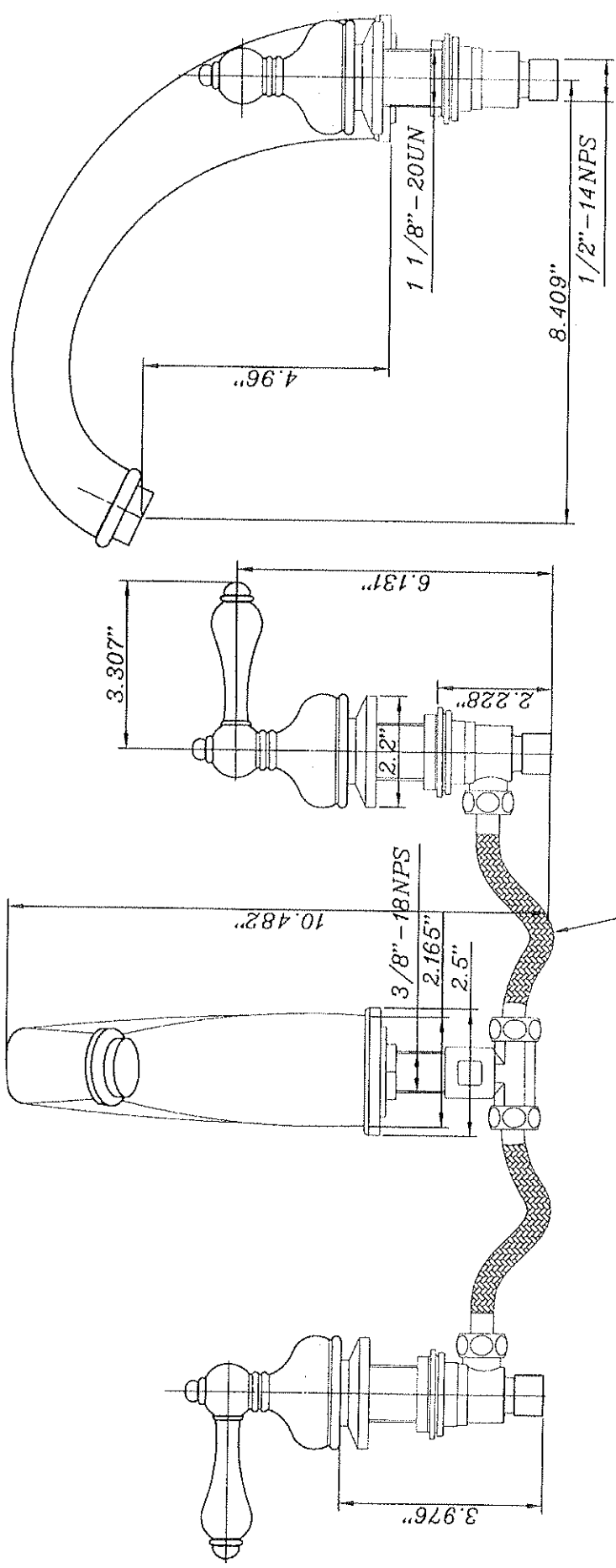


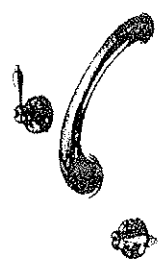
CORPORATE OFFICE:
 Mail: PO Box 941245
 Plano, TX 75094-1245
 Shipping: 2603 Technology Drive
 Plano, TX 75074



Phone: (972)312-1707
 (800)346-8435
 Fax: (972)398-9948
 E-Mail: banner@woodmark1.com
 Web Site: www.bannerfaucets.com



S.S Braided Hose 1/2 Female*1/2Female



Models:	1901-B	1901-C	1901-O	1904-B	1906-B	1907-B	1907-C	1907-O	1908-B	1909-B
	1901-X	1901-XW	1904-X	1906-X	1907-X	1907-XW	1908-X			
	1901-LE	1904-LE	1906-LE	1907-LE	1908-LE					

AVAILABLE FINISHES IN:
 CHROME
 CHROME/BRASS TRIM
 BRUSHED NICKEL
 PVD LIFETIME BRASS
 BRUSHED NICKEL/PVD TRIM
 VINTAGE BRONZE

1900 SERIES

TWO HANDLE ADJUSTABLE
 WIDESPREAD ROMAN TUB FAUCET

- * SOLID BRASS CONSTRUCTION
- * 6" TO 16" ADJUSTABLE
- * QUARTERTURN CERAMIC DISC OPERATION
- * LIFETIME LIMITED WARRANTY
- * UPC LISTED